

RUSSIAN - PRINTER (G038)

PARTS CATALOG

First Edition September 1999

RICOH COMPANY,LTD

PARTS CATALOG

INTRODUCTION

This chapter instructs you the numbers and names of parts on this machine.

INDEX to PARTS CATALOG

RUSSIAN - Printer	(G038)
PS400	(A861)
PS440	(A860)
PS420	(A862)
CS370	(G518)
AD370	(G529)
SR720	(A681)
Interchange Unit Type 280	(G531)
Bridge Unit Type 270	(A897)
Bypass Tray Type 270	(A899)

RUSSIAN - PRINTER (G038)

NOTE: The PM parts are listed in the first page of the parts index.
These items are also bolded in the parts lists.

PARTS CATALOG

INTRODUCTION

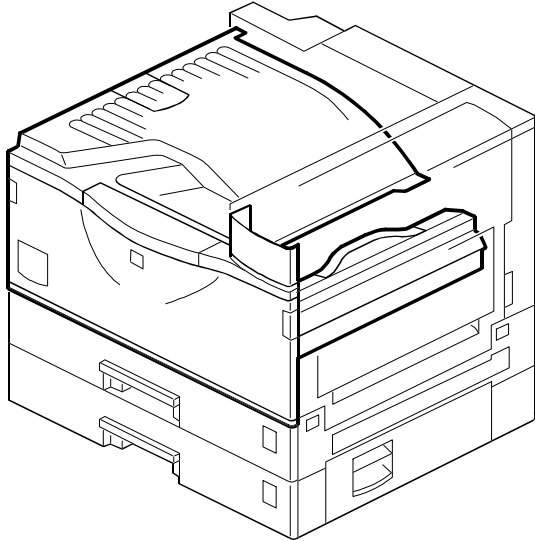
This chapter instructs you the numbers and names of parts on this machine.

INDEX to PARTS CATALOG

LOCATION OF UNIT.....	2	19.ELECTRICAL SECTION 2 (G038)	42
1.EXTERIOR 1 (G038)	6	20.FRAME SECTION (G038)	44
2.EXTERIOR 2 (G038)	8	21.PRINTER CONTROL BOARD (G038)	46
3.LASER UNIT (G038)	10	22.ENGINE BOARD (G038)	50
4.TRANSFER UNIT (G038).....	12	23.DECAL AND DOCUMENT (G038)	54
5.PAPER FEED SECTION 1 (G038).....	14	24.SPECIAL TOOLS (G038)	56
6.PAPER FEED SECTION 2 (G038).....	16	PARTS INDEX.....	59
7.PAPER FEED SECTION 3 (G038).....	18		
8.TONER HOPPER UNIT (G038)	20		
9.PAPER REGISTRATION (G038)	22		
10.PAPER TRAY 1 (G038).....	24		
11.PAPER TRAY 2 (G038).....	26		
12.FUSING UNIT 1 (G038).....	28		
13.FUSING UNIT 2 (G038).....	30		
14.PAPER EXIT (G038)	32		
15.DRIVE SECTION 1 (G038).....	34		
16.DRIVE SECTION 2 (G038).....	36		
17.DRIVE SECTION 3 (G038).....	38		
18.ELECTRICAL SECTION 1 (G038)	40		

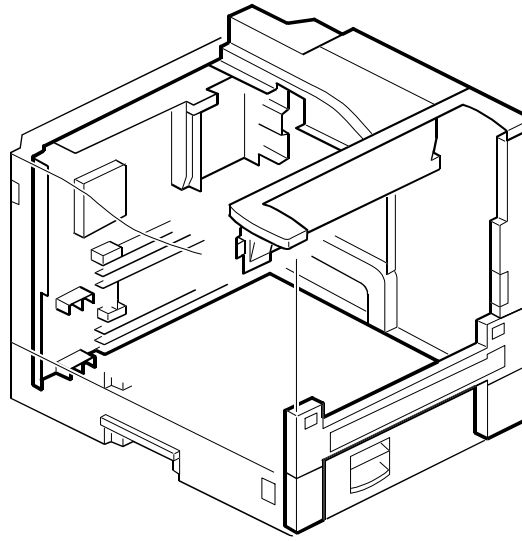
LOCATION OF UNIT

1.EXTERIOR 1 (G038)



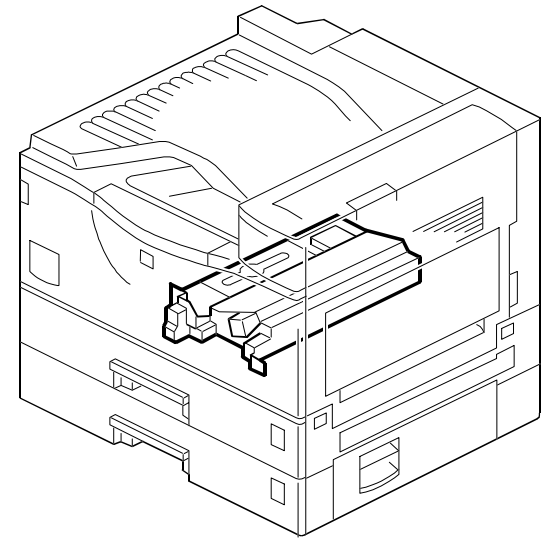
See Page 7

2.EXTERIOR 2 (G038)



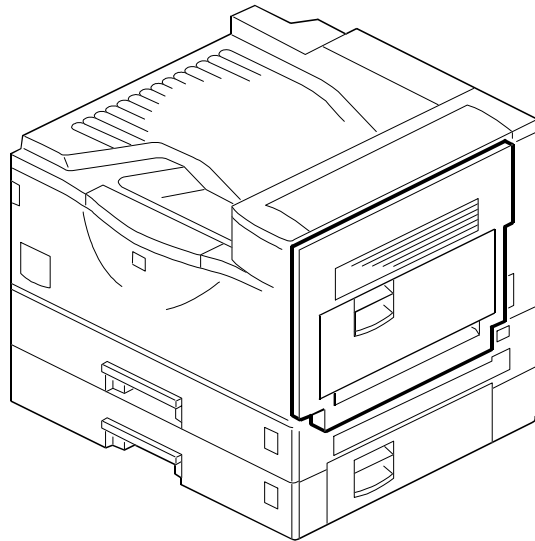
See Page 9

3.LASER UNIT (G038)



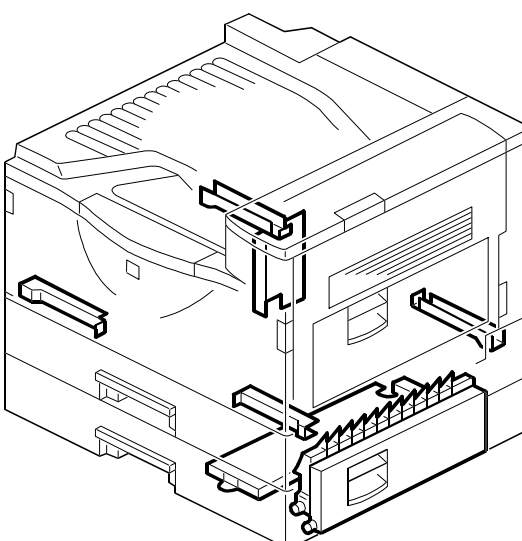
See Page 11

4.TRANSFER UNIT (G038)



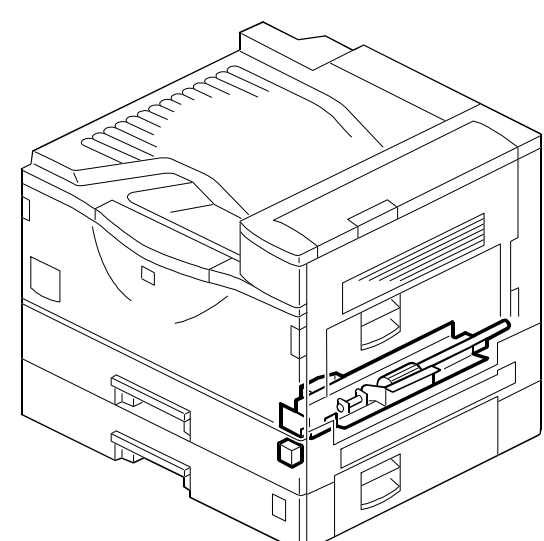
See Page 13

5.PAPER FEED SECTION 1 (G038)



See Page 15

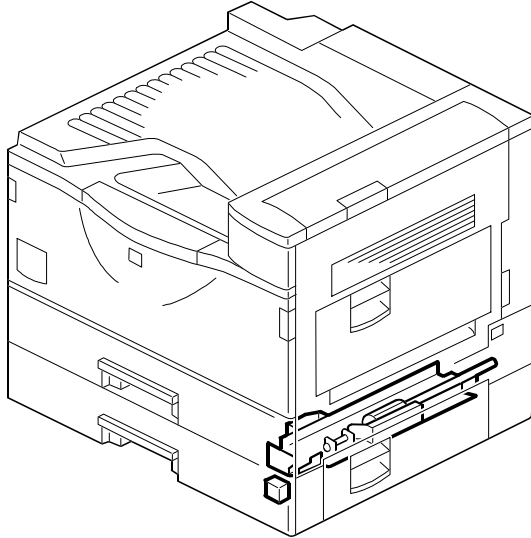
6.PAPER FEED SECTION 2 (G038)



See Page 17

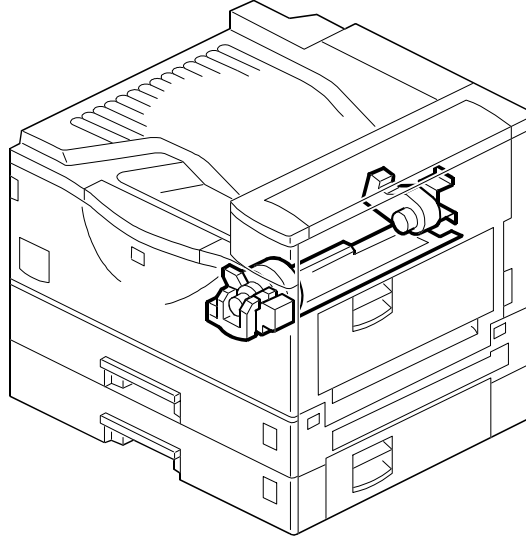
LOCATION OF UNIT

7.PAPER FEED SECTION 3 (G038)



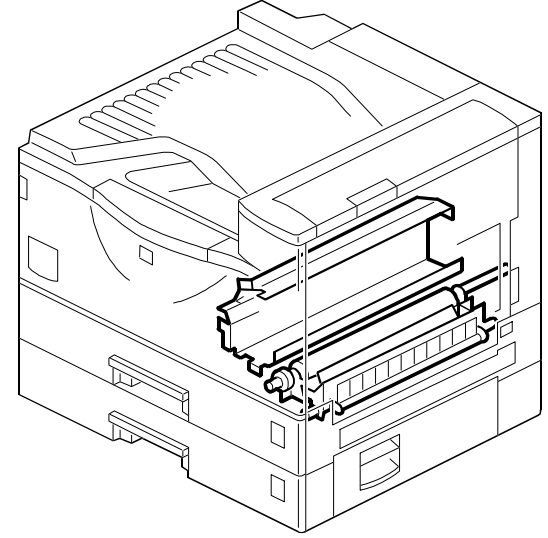
See Page 19

8.TONER HOPPER UNIT (G038)



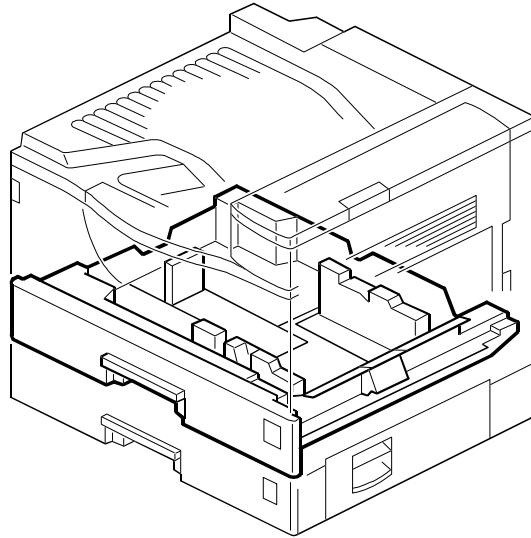
See Page 21

9.PAPER REGISTRATION (G038)



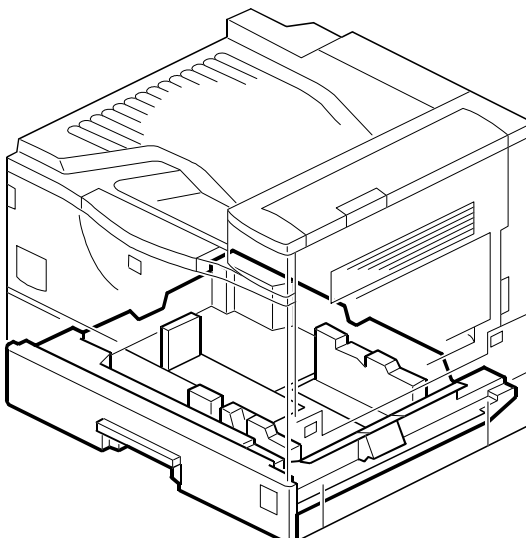
See Page 23

10.PAPER TRAY 1 (G038)



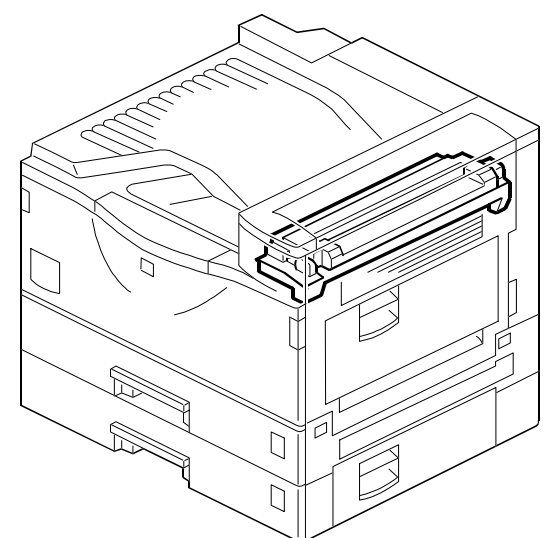
See Page 25

11.PAPER TRAY 2 (G038)



See Page 27

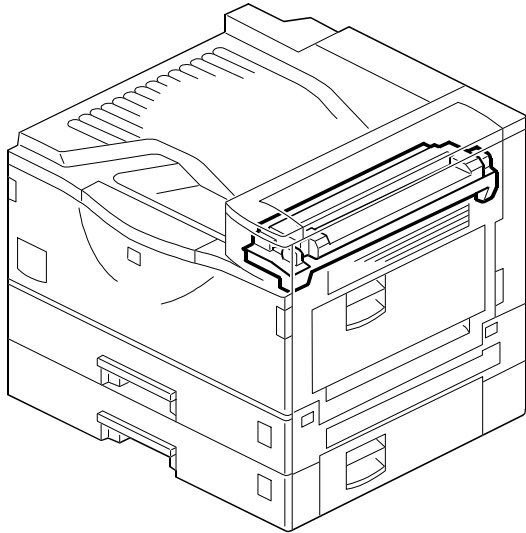
12.FUSING UNIT 1 (G038)



See Page 29

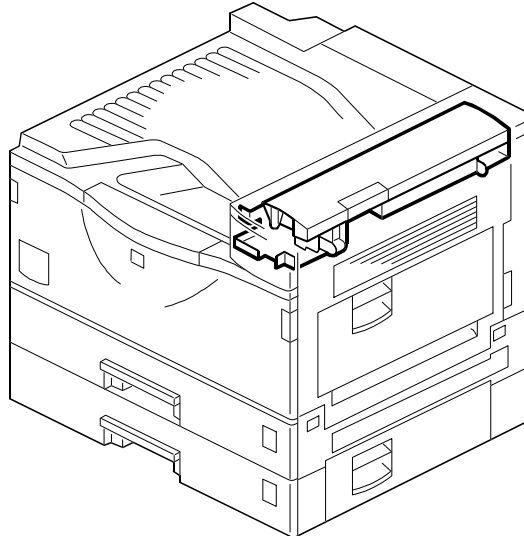
LOCATION OF UNIT

13.FUSING UNIT 2 (G038)



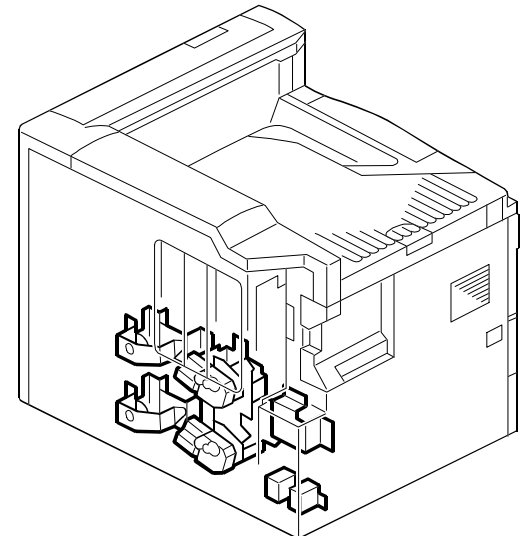
See Page 31

14.PAPER EXIT (G038)



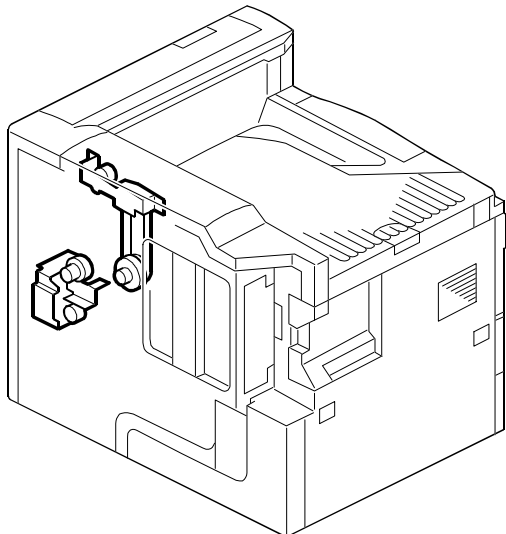
See Page 33

15.DRIVE SECTION 1 (G038)



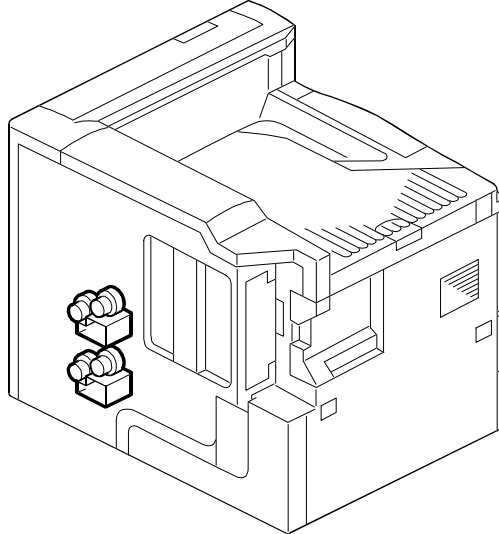
See Page 35

16.DRIVE SECTION 2 (G038)



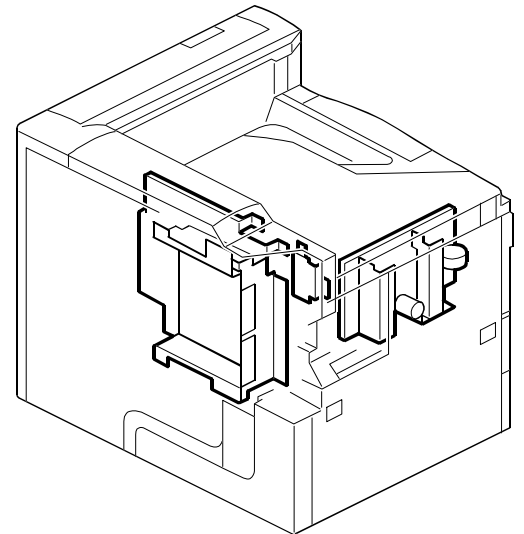
See Page 37

17.DRIVE SECTION 3 (G038)



See Page 39

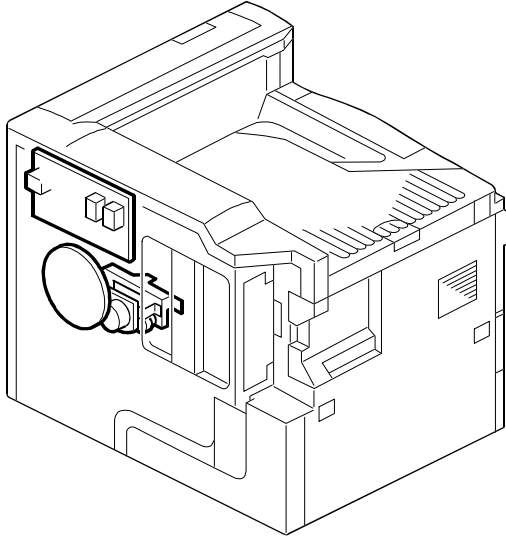
18.ELECTRICAL SECTION 1 (G038)



See Page 41

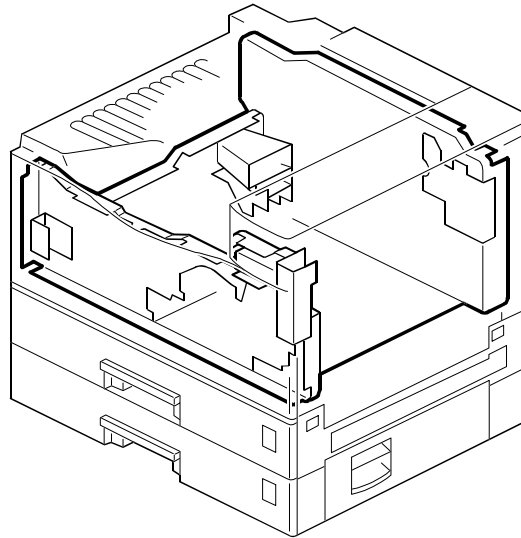
LOCATION OF UNIT

19.ELECTRICAL SECTION 2 (G038)



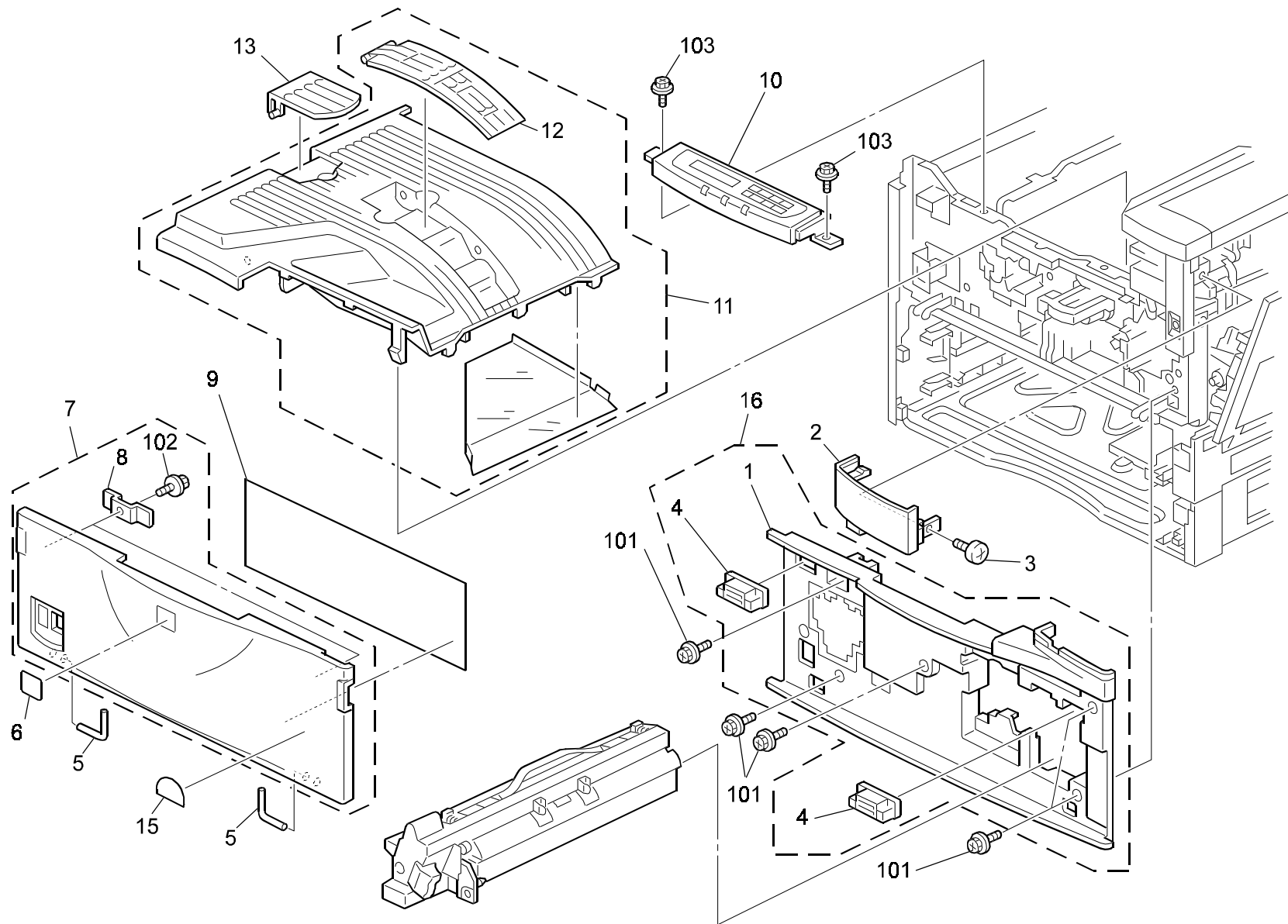
See Page 43

20.FRAME SECTION (G038)



See Page 45

1.EXTERIOR 1 (G038)

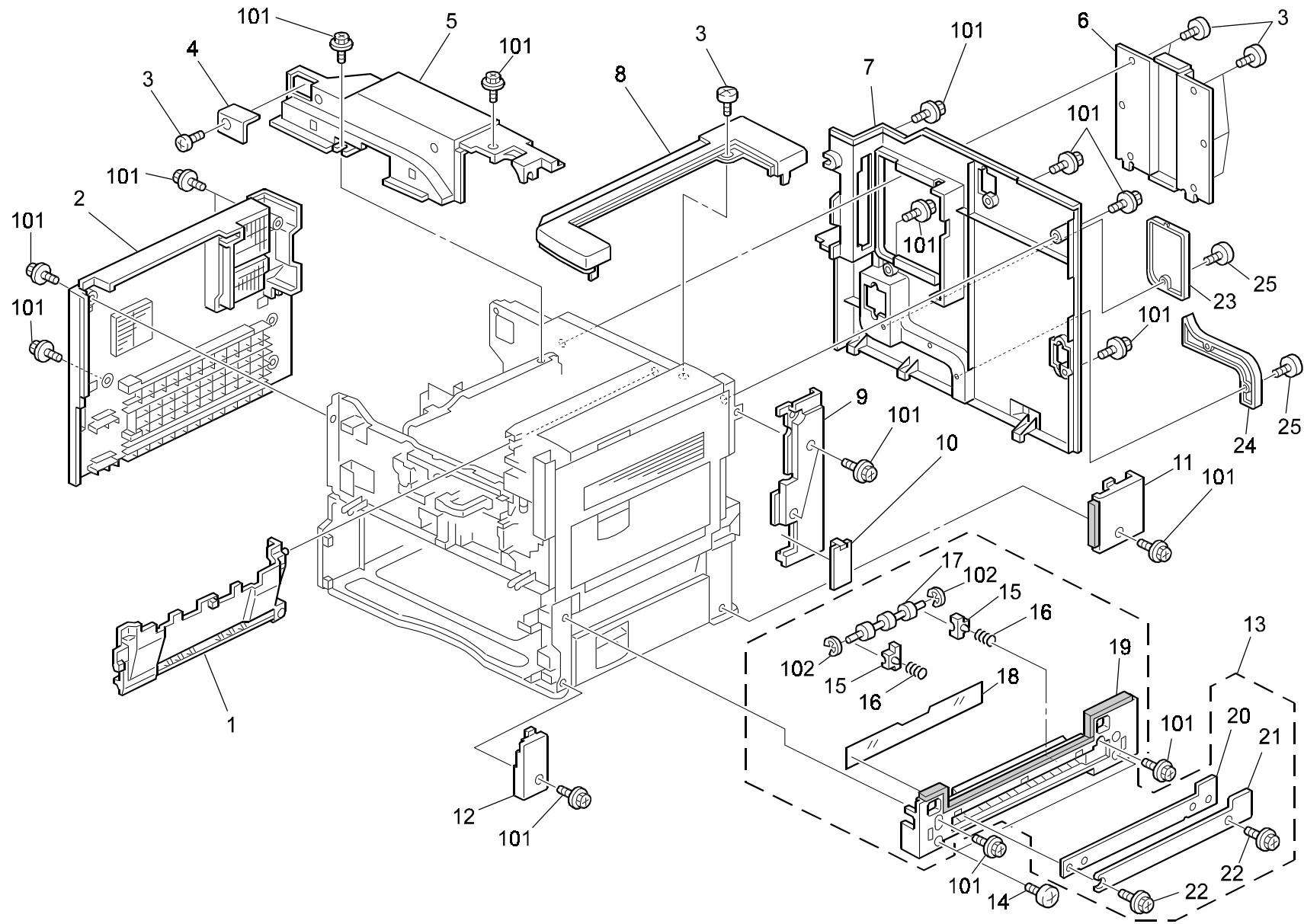


1.EXTERIOR 1 (G038)

Index No.	Part No.	Description	Q'ty Per Assembly
1	A267 1321	Inner Cover	1
2	G038 1320	Upper Right Front Cover	1
3	G020 1391	Screw - M3x4.5	1
4	AG07 1011	Magnet Catch	2
5	G020 1332	Hinge - Front Cover	2
6	A134 1383	Emblem (RIC)	1
7	G038 7051	Front Door Ass'y - RIC (EUR)	1
7	G038 7295	Front Door Ass'y - NRG	1
7	G038 7296	Front Door Ass'y - Savin/GES	1
8	A267 1264	Magnet Catch - Front Cover	2
9	G038 1268	Operation Instruction Sheet	1
10	G038 7152	Operation Panel Ass'y (NA)	1
10	G038 7172	Operation Panel Ass'y (EUR)	1
11	A267 1340	Upper Rear Cover - Scanner Unit	1
12	A267 1348	Paper Support Cover	1
13	A267 1343	Sub Paper Tray	1
14	AA00 1389	Large Decal - Energy Star	1
15	G038 1235	Front Cover Ass'y	1

Index No.	Part No.	Description	Q'ty Per Assembly
101	0451 3008H	Tapping Screw - 3x8	
102	0450 3008B	Tapping Screw - M3x8	
103	0451 3008B	Tapping Screw - M3x8	

2.EXTERIOR 2 (G038)

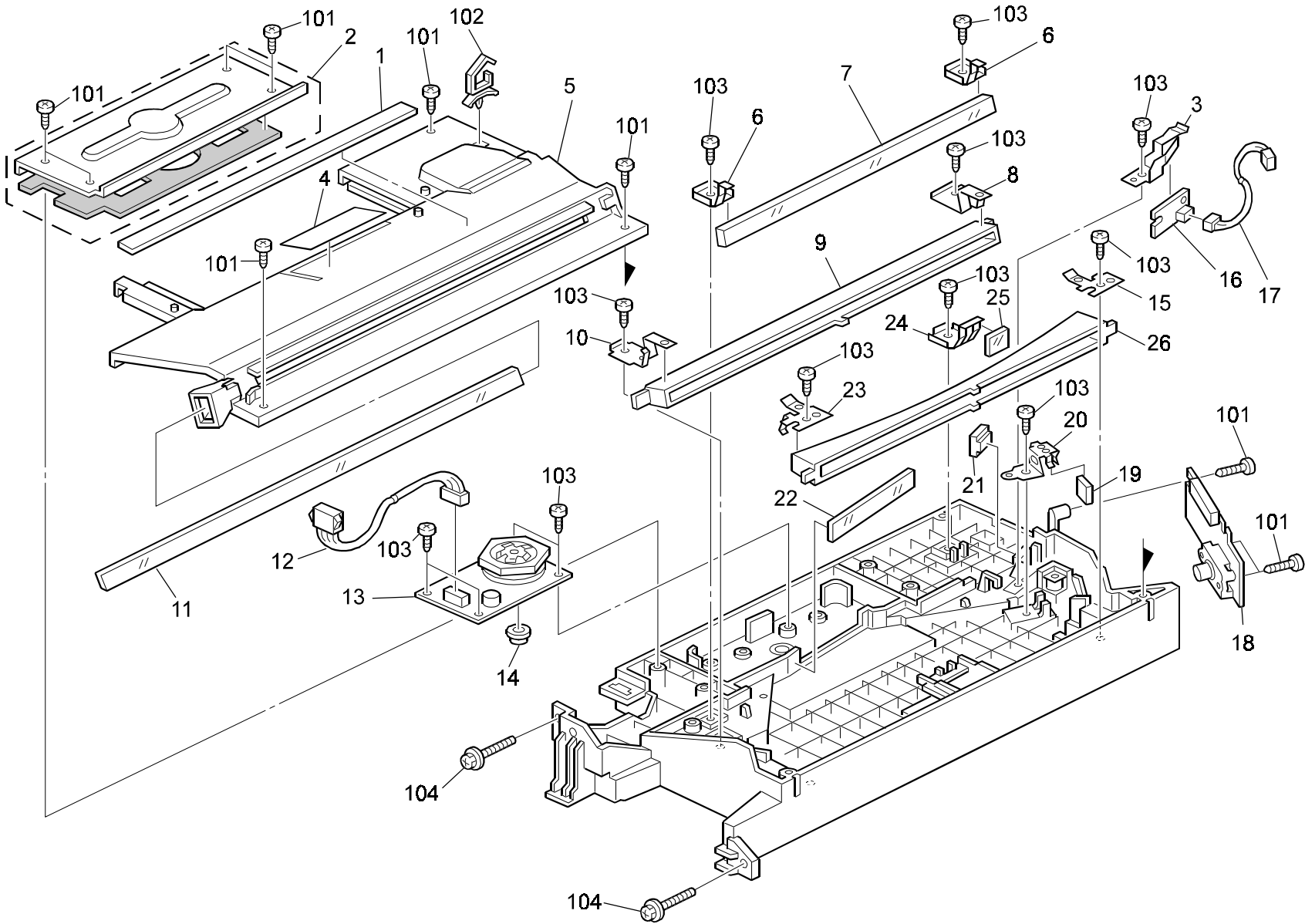


2.EXTERIOR 2 (G038)

Index No.	Part No.	Description	Q'ty Per Assembly
1	A267 1345	Paper Exit Cover	1
2	A267 1281	Left Cover	1
3	G020 1391	Screw - M3x4.5	8
4	G038 1378	Joint Cap	1
5	G038 1304	Rear Paper Exit Cover	1
6	G038 1294	Rear Cover	1
7	G038 1290	Rear Cover	1
8	G038 1303	Upper Paper Exit Cover	1
9	G038 1270	Right Rear Cover	1
10	A267 1370	Cap - Duplex	1
11	A267 2717	Right Rear Lower Cover	1
12	A267 2716	Right Front Lower Cover	1
13	A267 2727	Middle Right Cover	1
14	A548 6121	Screw - M4	1
15	AA08 0249	Bushing - Vertical Transport	2
16	AA06 3334	Spring - Vertical Transport	2
17	A267 2715	Driven Roller - Vertical Transport	1
18	A267 2709	Guide Mylar	1
19	A267 2705	Middle Right Cover	1
20	A267 2710	Stay - Cap	1
21	A267 2708	Cap - Bypass Feed	1
22	A267 2713	Hexagonal Set Screw - M3X8	2
23	G038 1296	Rear Cap Cover - Large	1
24	G038 1297	Rear Cap Cover - Small	1
25	G038 1299	Rivet - 5	3

Index No.	Part No.	Description	Q'ty Per Assembly
101	0451 3008H	Tapping Screw - 3x8	
102	0720 0040E	Retaining Ring - M4	

3.LASER UNIT (G038)

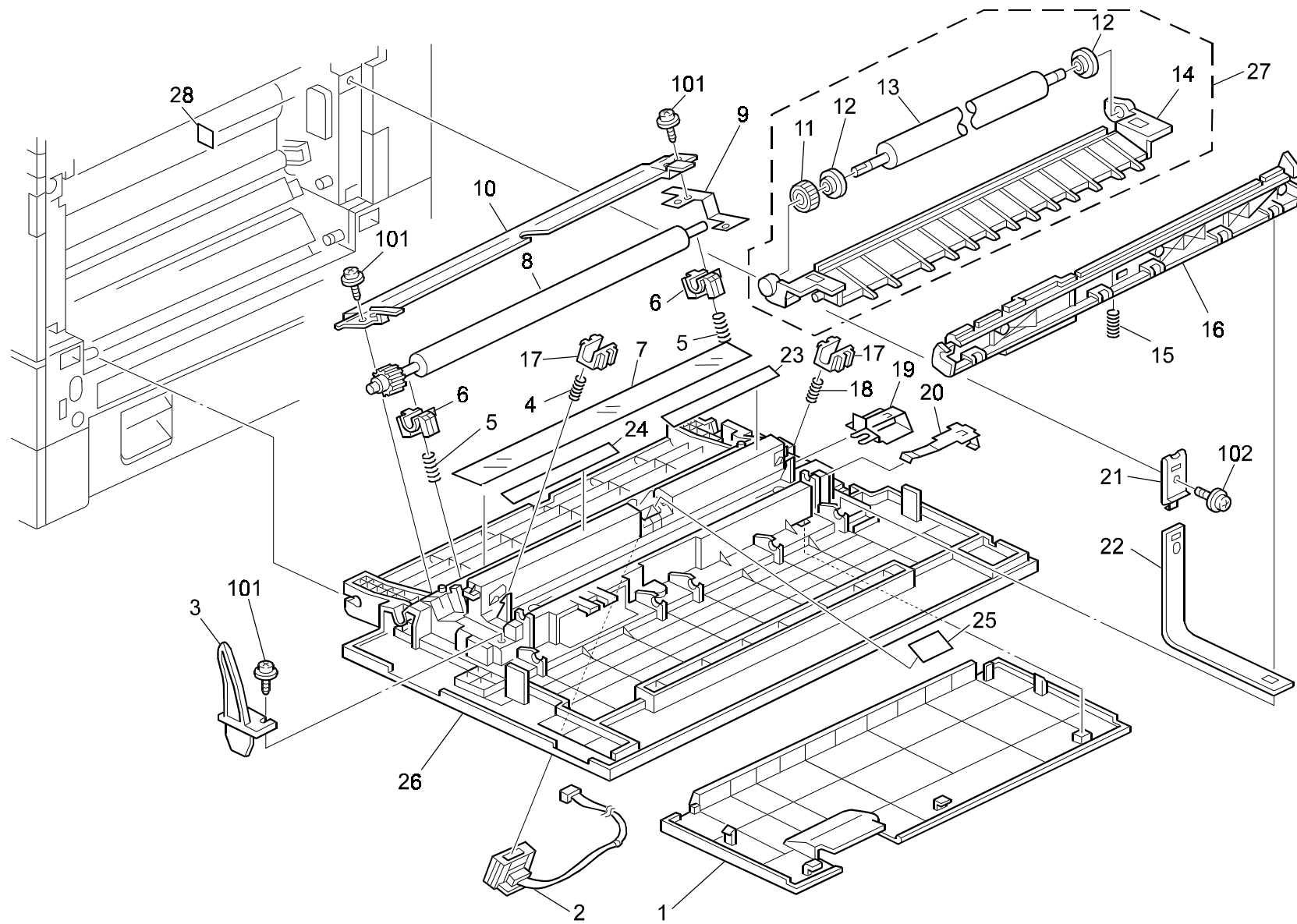


3.LASER UNIT (G038)

Index No.	Part No.	Description	Q'ty Per Assembly
1	A232 1971	Support Cover - Imaging Unit	1
2	A267 1917	Cover - Polygon Motor	1
3	A267 1944	Plate - Sync.Detector Board	1
4	G029 1980	Decal - LD	1
5	A267 1938	Cover - Laser Unit	1
6	A267 1942	Mirror Holder	2
7	AC01 0005	Mirror	1
8	A267 1941	Rear Holder - BTL	1
9	G020 1969	BTL Lens	1
10	A267 1940	Front Holder - BTL	1
11	AC03 0077	Shield Glass	1
12	A267 5224	Harness - Polygon Mirror Motor	1
13	AX06 0181	Polygon Mirror Motor	1
14	A232 1916	Collar - Polygon Motor	1
15	A232 1922	Rear Holder - F Theta Mirror	1
16	A232 5310	Laser Sync. Detector	1
17	A267 5222	Harness - Sync.Detector	1
18	A267 1915	LD Unit	1
19	G020 1966	Cylindrical Lens	1
20	A232 1927	Cylindrical Lens Holder	1
21	G029 1975	Cylindrical Lens	1
22	G020 1937	Shield Glass - Polygon Morrор Motor	1
23	A232 1921	Front Holder - F Theta Mirror	1
24	A267 1933	Mirror Holder - Sync.Detector	1
25	G020 1911	Sync Detector Mirror	1
26	G020 1968	F Theta Mirror	1

Index No.	Part No.	Description	Q'ty Per Assembly
101	0452 3010B	Tapping Bind Screw - M3x10	
102	1105 0487	Harness Clamp	
103	0452 3008B	Tapping Screw - M3x8	
104	0451 3008B	Tapping Screw - M3x8	

4.TRANSFER UNIT (G038)

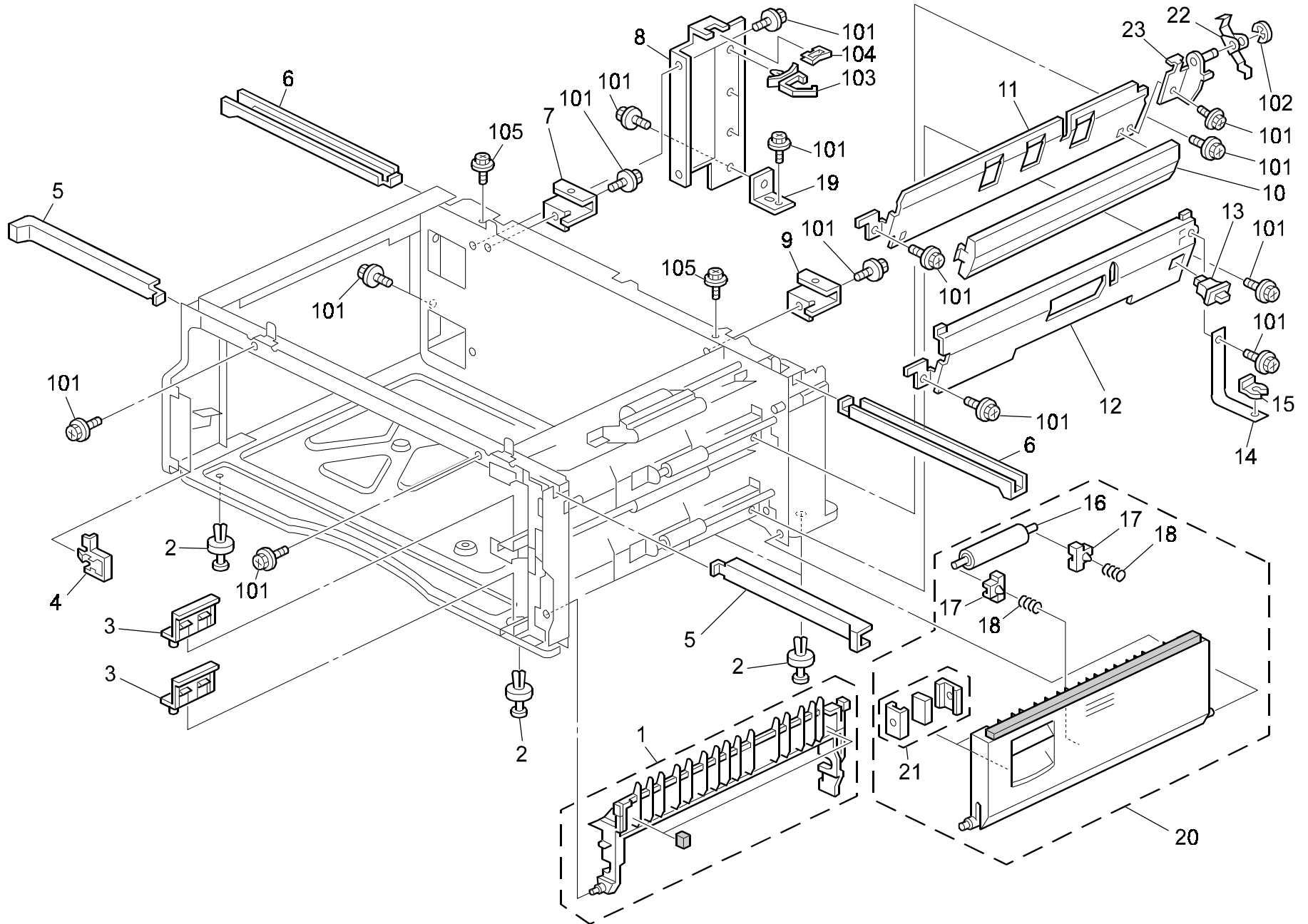


4.TRANSFER UNIT (G038)

Index No.	Part No.	Description	Q'ty Per Assembly
1	A267 3857	Right Cover	1
2	A267 3901	ID Sensor	1
3	A267 3931	Shutter Lever	1
4	AA06 3599	Pressure Spring	1
5	AA06 3335	Pressure Spring	2
6	A267 2685	Bushing - Driven Roller	2
7	A267 2712	Cleaner - Regist Driven Roller	1
8	AF02 1064	Registration Driven Roller	1
9	A267 3921	Grounding Terminal	1
10	A267 2711	Right Guide Plate - Regist Roller	1
11	AB01 0349	Transfer Roller Gear	1
12	G020 3855	Spacer Roller - Transfer	2
13	A267 3882	Transfer Roller	1
14	G038 3890	Separation Unit	1
15	AA06 3598	Pressure Spring	1
16	A267 3871	Lever - Transfer/Separation Unit	1
17	AA08 0255	Transfer Roller Bushing	2
18	AA06 3607	Pressure Spring	1
19	A267 3861	Terminal - Transfer Roller	1
20	A267 3862	Terminal - Separation	1
21	A232 3962	Spring Plate - Band Stopper	1
22	A267 3941	Band - Vertical Transport Cover	1
23	AA15 0708	Front Discharge Sheet	1
24	AA15 0709	Rear Discharge Sheet	1
25	A267 3905	Cover - ID Sensor	1
26	A267 3855	Cover - Transfer Unit	1
27	G038 3830	Transfer/Separation Unit	1
28	5214 4975	Decal - High Voltage	1

Index No.	Part No.	Description	Q'ty Per Assembly
101	0450 3008B	Tapping Screw - M3x8	
102	0451 3006B	Tapping Screw - M3x6	

5.PAPER FEED SECTION 1 (G038)

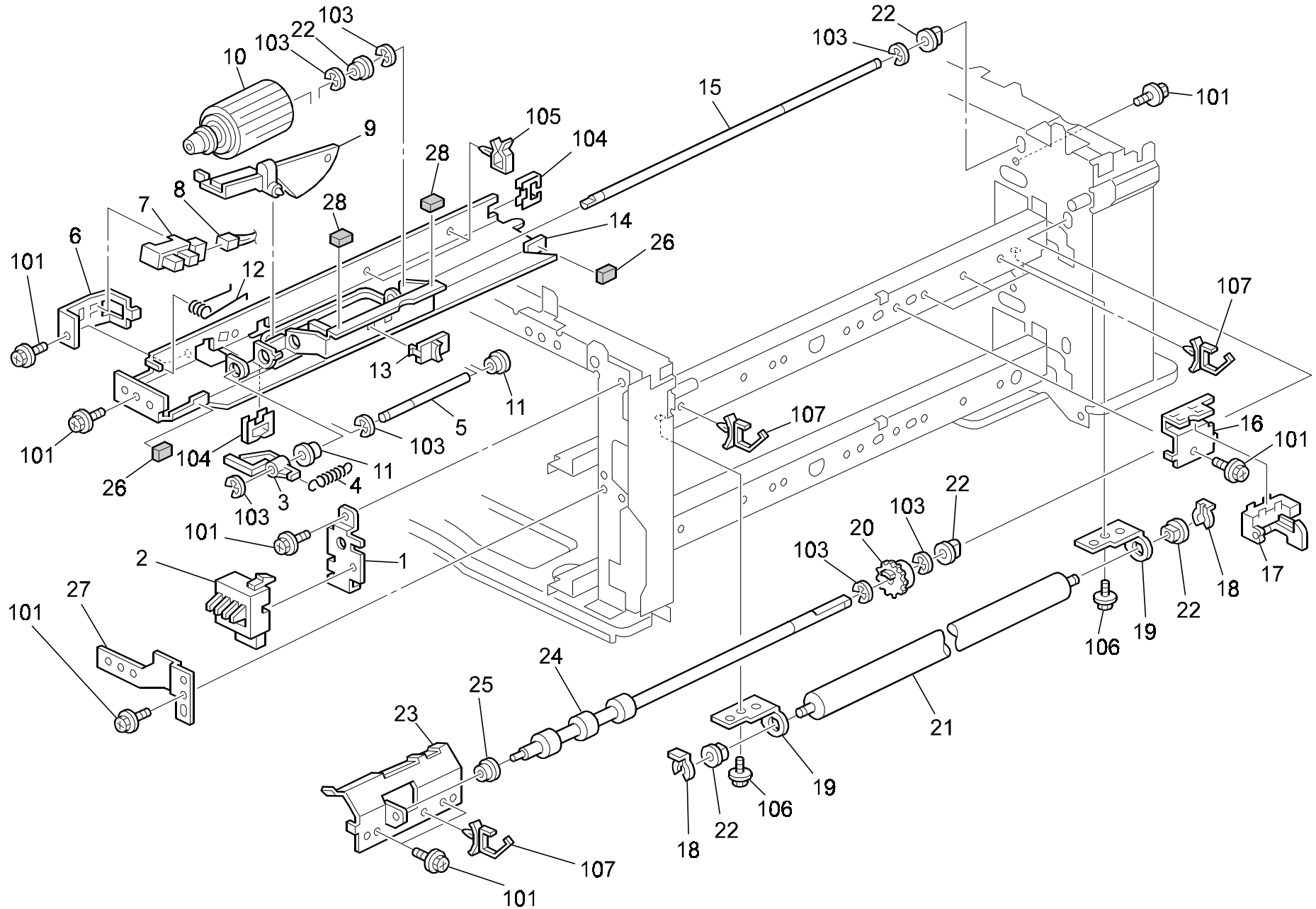


5.PAPER FEED SECTION 1 (G038)

Index No.	Part No.	Description	Q'ty Per Assembly
1	A267 2724	Lower Paper Guide Plate	1
2	AH01 0009	Rubber Pad - H5	4
3	A267 2588	Shoe - Right Rail	2
4	A267 2589	Shoe - Supporter	2
5	A267 2564	Front Grip Plate	2
6	A267 2567	Rear Grip Plate	2
7	A267 2576	Left Bracket - Grip Plate	1
8	G038 2595	Separation Plate - Heater	1
9	A267 2573	Right Bracket - Grip Plate	1
10	A267 2736	Vertical Transport Guide	1
11	A267 2733	Upper Guide - Vertical Transport	1
12	A267 2732	Lower Guide - Vertical Transport	1
13	G020 5626	Push Switch	1
14	A267 2740	Stopper Band	1
15	5206 2686	Snap Ring	1
16	AF02 2118	Pull Out Roller - Option Tray	1
17	AA08 0249	Bushing - Vertical Transport	2
18	AA06 3334	Spring - Vertical Transport	2
19	G038 2580	Protect Base Bracket	1
20	A267 2728	Cover - Vertical Transport	1
21	AG07 0014	Magnet Catch	1
22	A267 2680	Spring Plate - Roller Clutch	1
23	A267 2677	Roller Clutch Bracket	1

Index No.	Part No.	Description	Q'ty Per Assembly
101	0451 3006B	Tapping Screw - M3x6	
102	0720 0030E	Retaining Ring - M3	
103	1105 0460	Clamp	
104	1105 0329	Clamp - ES-0510	
105	0451 4008B	Philips Tapping Screw - M4x8	

6.PAPER FEED SECTION 2 (G038)

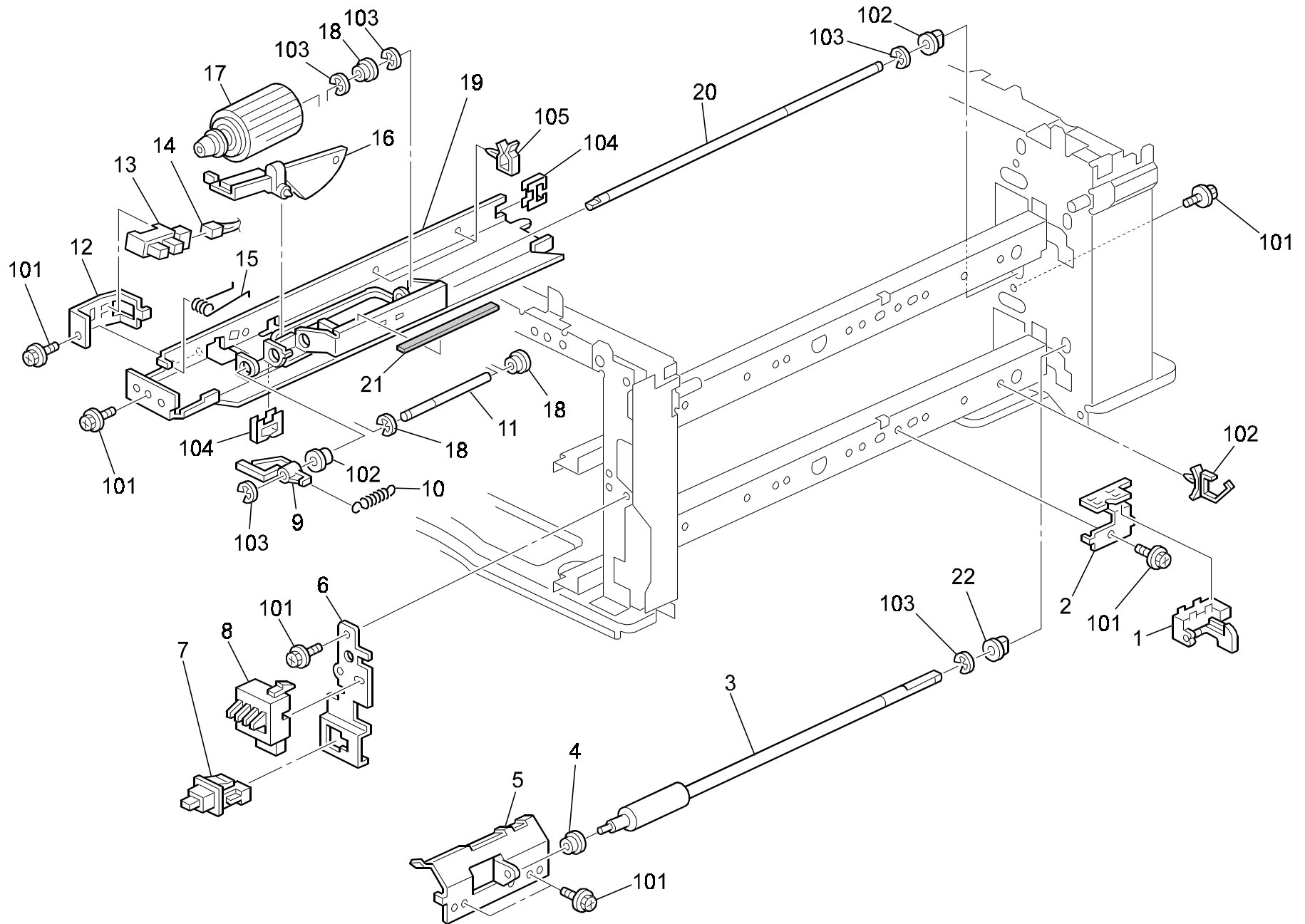


6.PAPER FEED SECTION 2 (G038)

Index No.	Part No.	Description	Q'ty Per Assembly
1	A267 2873	Bracket - Paper Size Sensor	1
2	G020 2620	Push Switch - Paper Size	1
3	A267 2786	Lock Lever - Feed Roller	1
4	A267 2787	Tension Spring - Lock Lever	1
5	A267 2785	Lock Lever Shaft - Feed Roller	1
6	A267 2805	Bracker - Paper End Sensor	1
7	AW02 0075	Photointerruptor	1
8	A267 5215	Relay Harness - Paper End Sensor	1
9	A267 2803	Feeler - Paper End Sensor	1
10	A267 2751	Paper Feed Roller	1
11	A267 2847	Bushing - Motor Shaft	2
12	A267 2788	Torsion Spring - Lock Lever	1
13	A267 2666	Bushing - Roller Guide	1
14	A267 2800	Guide Plate - Paper Feed Roller	1
15	A267 2754	Shaft - Paper Feed Roller	1
16	A267 2663	Bracket - Photointerruptor	1
17	AW02 0111	Photointerruptor	1
18	H521 3355	C Ring - Paper Feed Roller	2
19	A267 2577	Roller Guide Bracket 2	2
20	A267 2681	Roller Clutch - Vertical Transport	1
21	A267 2665	Upper Roller Guide	1
22	H521 3356	Bushing - Paper Feed Roller	3
23	A267 2828	Guide Plate - Pressure Release	1
24	AF02 0500	Driven Roller	1
25	AA08 0252	Bushing - M4	1
26	AA16 1143	Cushion - Link	2
27	A267 2587	Guide Plate	1
28	A267 2813	Cushion - Guide Plate	2

Index No.	Part No.	Description	Q'ty Per Assembly
101	0451 3006B	Tapping Screw - M3x6	
102	0451 3030B	Tapping Screw - 3x30	
103	0720 0040E	Retaining Ring - M4	
104	1105 0329	Clamp - ES-0510	
105	1105 0283	Clamp	
106	0951 3004B	Philps Screw With Flat Washer -m3x4	
107	1105 0501	Harness Clamp - RLMC-05TV0	

7.PAPER FEED SECTION 3 (G038)

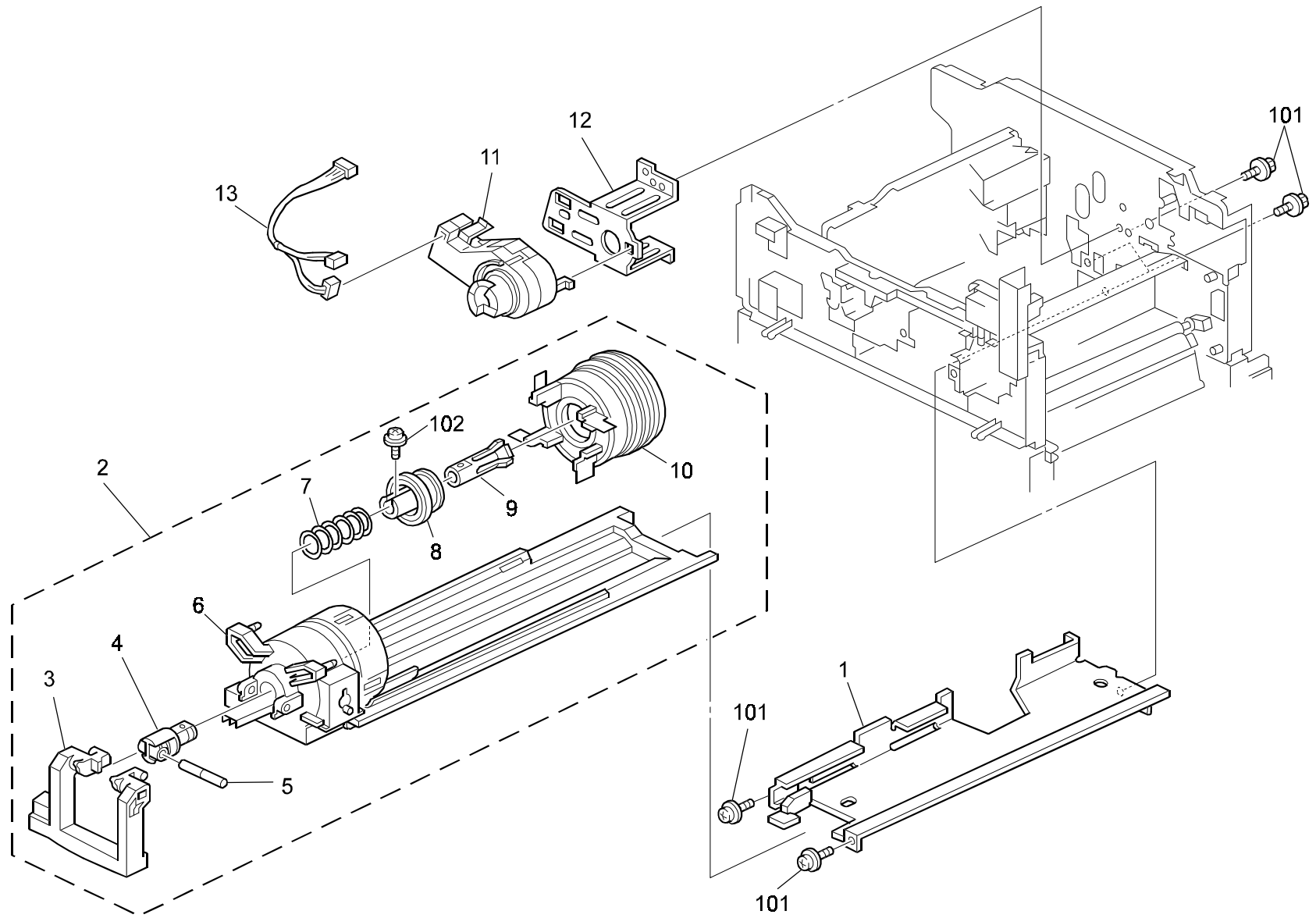


7.PAPER FEED SECTION 3 (G038)

Index No.	Part No.	Description	Q'ty Per Assembly
1	AW02 0111	Photointerruptor	1
2	A267 2660	Bracket - Photointerruptor	1
3	AF02 0472	Transport Roller	1
4	AA08 0252	Bushing - M4	1
5	A267 2842	Guide Plate - Pressure Release	1
6	A267 2882	Sensor Bracket - Special Paper	1
7	AW50 0022	Push Switch	1
8	G020 2620	Push Switch - Paper Size	1
9	A267 2786	Lock Lever - Feed Roller	1
10	A267 2787	Tension Spring - Lock Lever	1
11	A267 2785	Lock Lever Shaft - Feed Roller	1
12	A267 2805	Bracker - Paper End Sensor	1
13	AW02 0075	Photointerruptor	1
14	A267 5215	Relay Harness - Paper End Sensor	1
15	A267 2788	Torsion Spring - Lock Lever	1
16	A267 2803	Feeler - Paper End Sensor	1
17	A267 2751	Paper Feed Roller	1
18	A267 2847	Bushing - Motor Shaft	2
19	A267 2800	Guide Plate - Paper Feed Roller	1
20	A267 2754	Shaft - Paper Feed Roller	1
21	AA16 1143	Cushion - Link	1
22	H521 3356	Bushing - Paper Feed Roller	1

Index No.	Part No.	Description	Q'ty Per Assembly
101	0451 3006B	Tapping Screw - M3x6	
102	1105 0501	Harness Clamp - RLMC-05TV0	
103	0720 0040E	Retaining Ring - M4	
104	1105 0329	Clamp - ES-0510	
105	1105 0283	Clamp	

8.TONER HOPPER UNIT (G038)

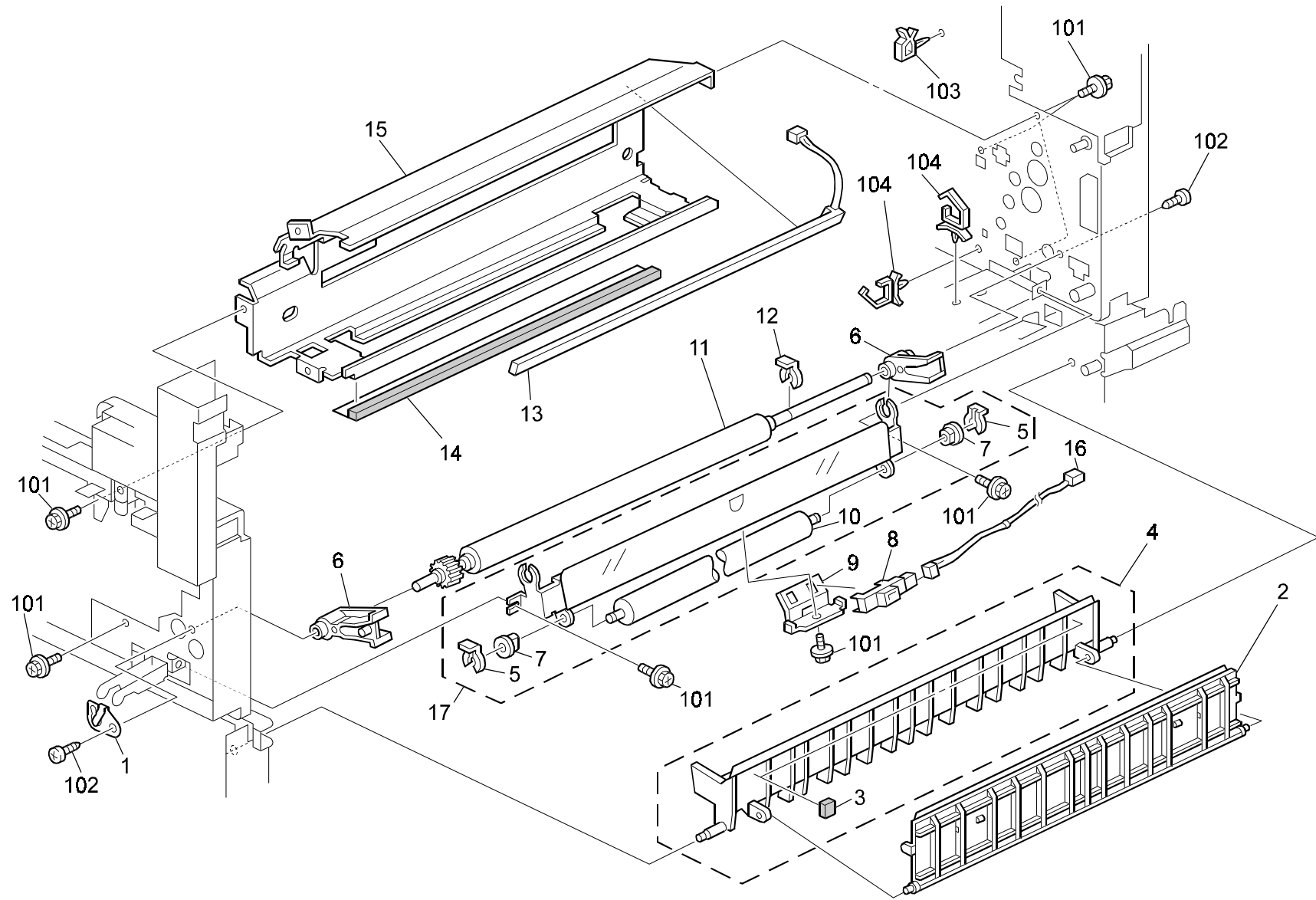


8.TONER HOPPER UNIT (G038)

Index No.	Part No.	Description	Q'ty Per Assembly
1	A267 1054	Guide Plate - Toner Supply Unit	1
2	A267 3500	Toner Supply Unit Ass'y (RIC 120V)	1
2	A267 7470	Toner Supply Unit (SVN)	1
3	A267 3605	Cam - Handle	1
4	A184 3421	Chuck Shaft	1
5	A184 3422	Toner Slider	1
6	A267 3550	Case - Toner Supply Ass'y	1
7	A184 3411	Chuck Spring	1
8	G020 3334	Slider Ass'y	1
9	A184 3420	Bottle Chuck	1
10	A267 3560	Cover - Toner Supply Unit (RIC)	1
10	A267 7480	Toner Supply Unit Cover (OEM)	1
11	AX05 0140	Toner Bottle Motor - DC 2.6W	1
12	A267 7440	Bracket - Toner Supply Motor	1
13	G038 5205	Toner Bottle Harness	1

Index No.	Part No.	Description	Q'ty Per Assembly
101	0451 3006B	Tapping Screw - M3x6	
102	0452 3008B	Tapping Screw - M3x8	

9.PAPER REGISTRATION (G038)

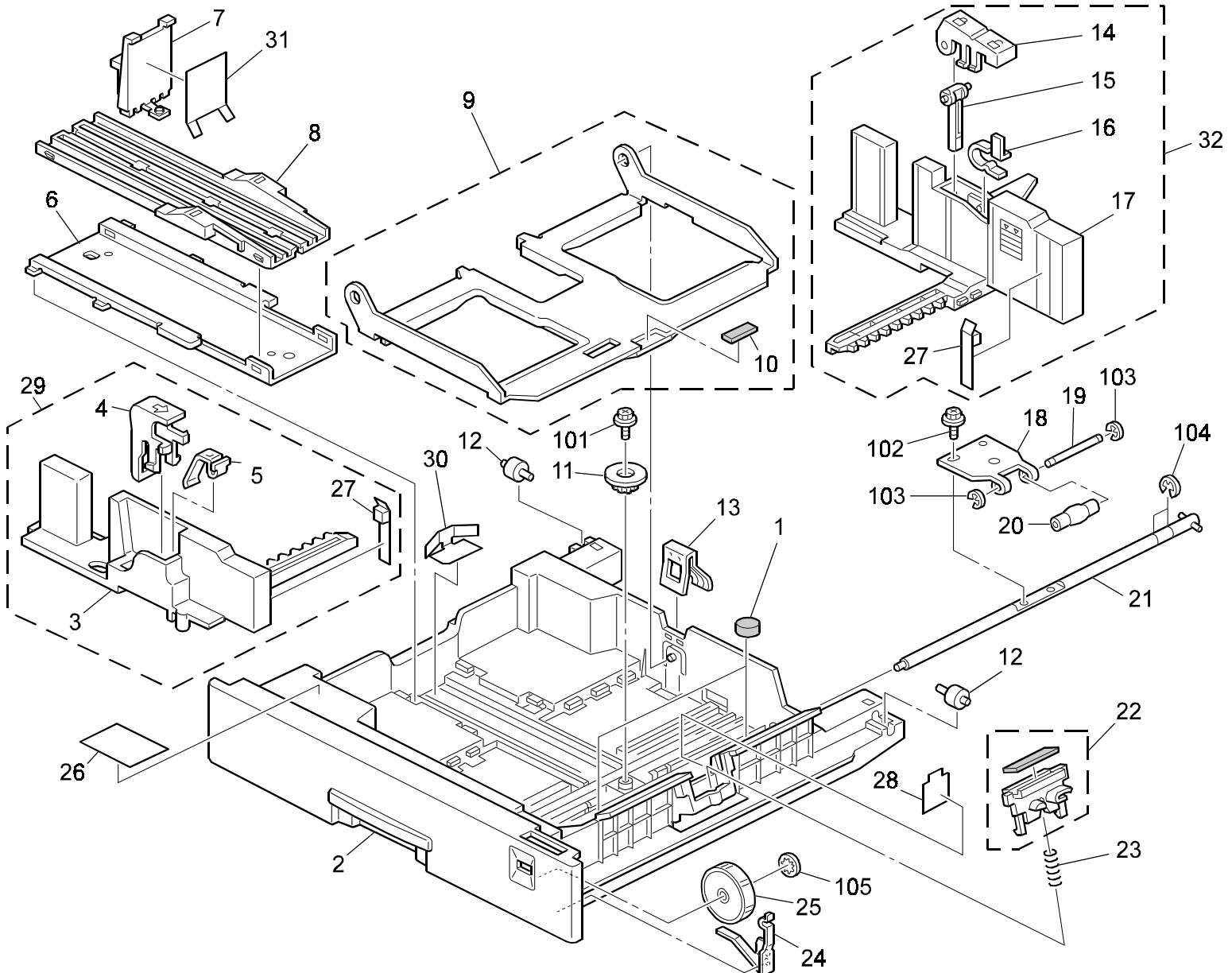


9.PAPER REGISTRATION (G038)

Index No.	Part No.	Description	Q'ty Per Assembly
1	A267 2695	Grounding Plate - Regist Roller	1
2	A267 2722	Sub Guide Plate - Upper Entrance	1
3	AA16 1143	Cushion - Link	2
4	A267 2721	Upper Entrance Guide Plate	1
5	H521 3355	C Ring - Paper Feed Roller	2
6	A267 2674	Bushing - Registration Roller	2
7	H521 3356	Bushing - Paper Feed Roller	2
8	AW01 0057	Registration Sensor	1
9	A267 2698	Bracket - Registration Sensor	1
10	A267 2665	Upper Roller Guide	1
11	AF02 0473	Registration Roller	1
12	5215 2621	Snap Ring - M6	1
13	A267 3452	Quenching Lamp	1
14	A267 2700	Registration Roller Cleaner	1
15	A267 1051	PCU Guide Plate	1
16	A267 5237	Relay Harness - Registration Sensor	1
17	A267 2691	Left Guide Plate - Regist Roller	1

Index No.	Part No.	Description	Q'ty Per Assembly
101	0451 3006B	Tapping Screw - M3x6	
102	0452 3008B	Tapping Screw - M3x8	
103	1105 0283	Clamp	
104	1105 0460	Clamp	

10.PAPER TRAY 1 (G038)

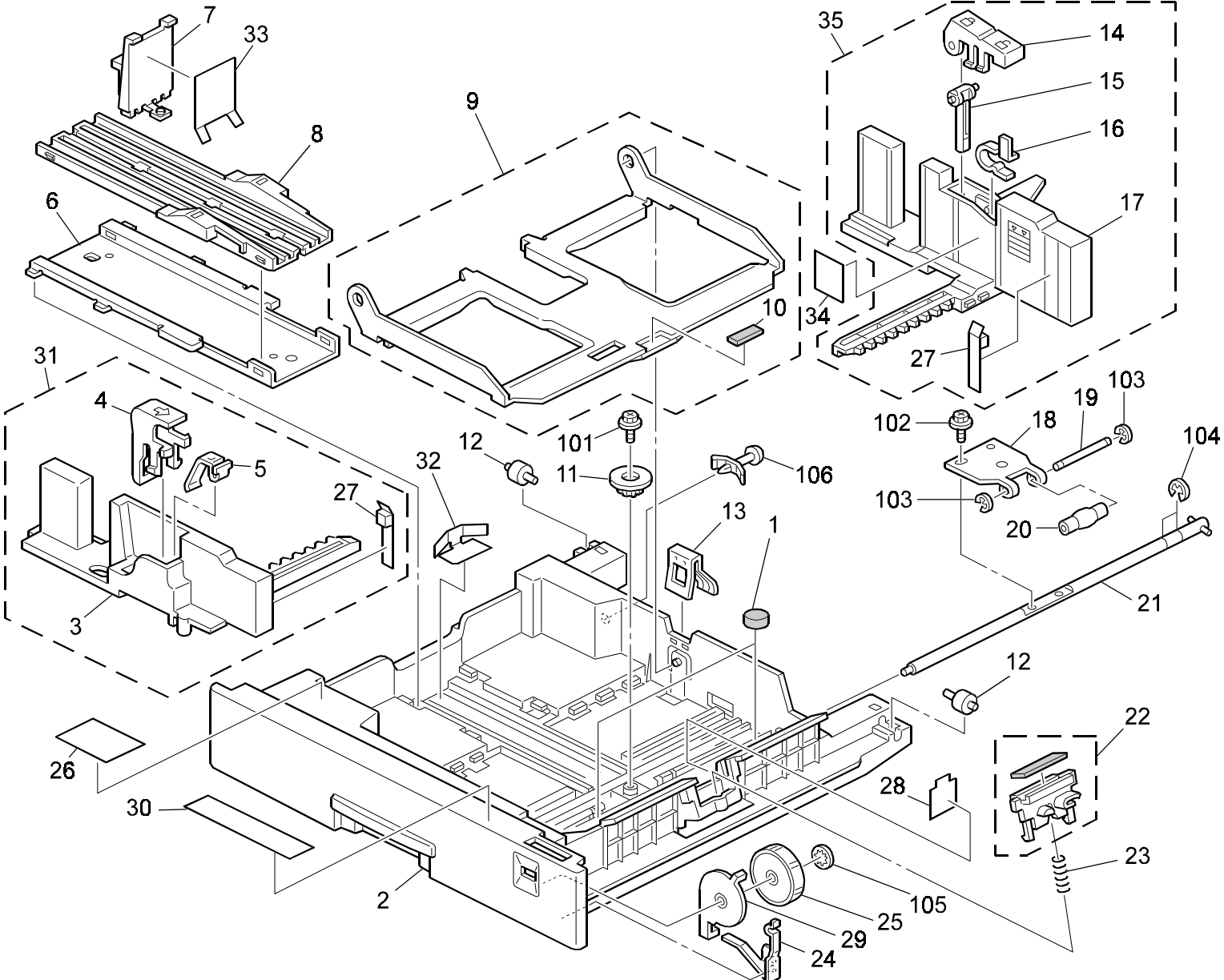


10.PAPER TRAY 1 (G038)

Index No.	Part No.	Description	Q'ty Per Assembly
1	A267 2899	Sponge - Paper Feed Tray	2
2	A267 2850	Paper Tray	1
3	A267 2851	Front Side Fence	1
4	A267 2858	Front Stopper Lever	1
5	G697 2677	Spring Plate - Side Fence	1
6	A267 2874	Base Slider	1
7	A267 2853	End Fence	1
8	A267 2866	Upper Slider	1
9	A267 2861	Bottom Plate	1
10	G029 2608	Base Pad	1
11	A267 2869	Gear - 16Z	1
12	A232 2987	Roller - Paper Tray	2
13	A267 2878	Spring Plate - Grounding	1
14	A267 2860	Rear Lever Stopper	1
15	A267 2859	Side Fence Stopper	1
16	A267 2857	Spring Plate - Side Fence	1
17	A267 2852	Rear Side Fence	1
18	A267 2856	Bracket - Rising	1
19	A267 2865	Shaft - Roller	1
20	A267 2864	Roller Bracket	1
21	A267 2854	Shaft - Tray Raising	1
22	A267 2831	Friction Pad	1
23	A267 2834	Pressure Spring - Friction Pad	1
24	A267 2868	Spring Plate	1
25	A267 7343	Paper Size Detector - 1	1
26	A267 2892	Decal - Paper Set Direction	1
27	A267 2897	Shield - Side Fence	2
28	A267 2898	Sheet - Paper Tray Holder	1
29	A267 2884	Front Side Fence	1
30	A267 2875	Spring Plate - Slider	1
31	A267 2900	Seal - End Fence	1
32	A267 2885	Rear Side Fence	1

Index No.	Part No.	Description	Q'ty Per Assembly
101	0450 4008B	Tapping Screw - 4x8	
102	0453 4006B	Tapping Screw - 4x6	
103	0720 0030E	Retaining Ring - M3	
104	0720 0060E	Retaining Ring - M6	
105	0805 0083	Retaining Ring - M4	

11.PAPER TRAY 2 (G038)

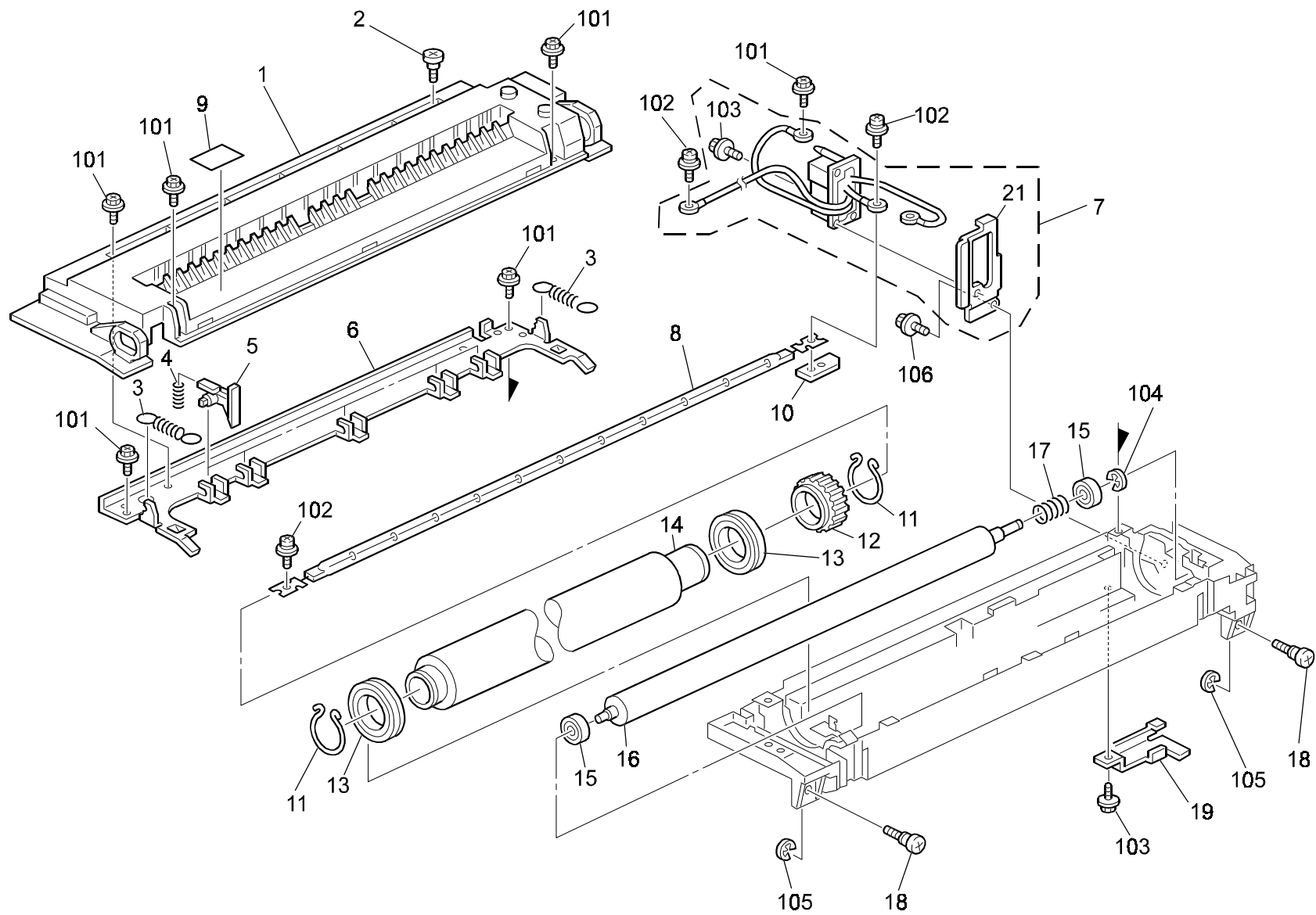


11.PAPER TRAY 2 (G038)

Index No.	Part No.	Description	Q'ty Per Assembly
1	A267 2899	Sponge - Paper Feed Tray	2
2	A267 2850	Paper Tray	1
3	A267 2851	Front Side Fence	1
4	A267 2858	Front Stopper Lever	1
5	G697 2677	Spring Plate - Side Fence	1
6	A267 2874	Base Slider	1
7	A267 2853	End Fence	1
8	A267 2866	Upper Slider	1
9	A267 2861	Bottom Plate	1
10	G029 2608	Base Pad	1
11	A267 2869	Gear - 16Z	1
12	A232 2987	Roller - Paper Tray	2
13	A267 2878	Spring Plate - Grounding	1
14	A267 2860	Rear Lever Stopper	1
15	A267 2859	Side Fence Stopper	1
16	A267 2857	Spring Plate - Side Fence	1
17	A267 2852	Rear Side Fence	1
18	A267 2856	Bracket - Rising	1
19	A267 2865	Shaft - Roller	1
20	A267 2864	Roller Bracket	1
21	A267 2854	Shaft - Tray Raising	1
22	A267 2831	Friction Pad	1
23	A267 2834	Pressure Spring - Friction Pad	1
24	A267 2868	Spring Plate	1
25	A267 7344	Paper Size Detector - 2	1
26	A267 2892	Decal - Paper Set Direction	1
27	A267 2897	Shield - Side Fence	2
28	A267 2898	Sheet - Paper Tray Holder	1
29	A267 2881	Dial - Special Paper	1
30	A267 7351	Decal - Special Paper	1
31	A267 2884	Front Side Fence	1
32	A267 2875	Spring Plate - Slider	1
33	A267 2900	Seal - End Fence	1
34	A267 7352	Decal - Side Fence	1
35	A267 2885	Rear Side Fence	1

Index No.	Part No.	Description	Q'ty Per Assembly
101	0450 4008B	Tapping Screw - 4x8	
102	0451 4006B	Tapping Screw - 4x6	
103	0720 0030E	Retaining Ring - M3	
104	0720 0060E	Retaining Ring - M6	
105	0805 0083	Retaining Ring - M4	
106	1105 0415	Spacer - 12.7mm	

12.FUSING UNIT 1 (G038)

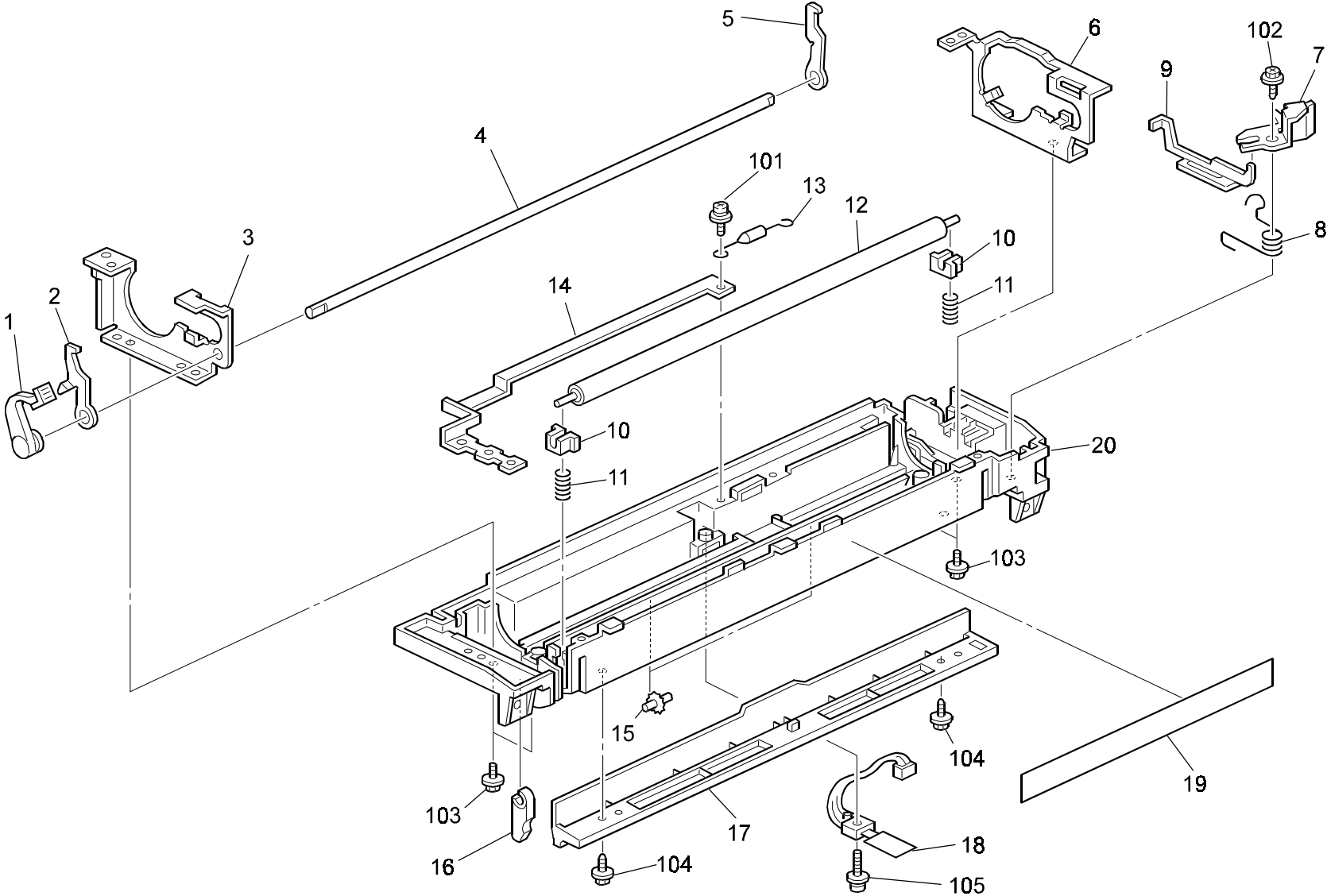


12.FUSING UNIT 1 (G038)

Index No.	Part No.	Description	Q'ty Per Assembly
1	A267 4151	Upper Frame - Fusing Unit	1
2	AA14 3219	Stepped Screw	1
3	A267 4114	Tension Spring - Pressure Roller	2
4	A267 4103	Spring - Fusing Stripper	5
5	AE04 4025	Hot Roller Stripper	3
6	A267 4101	Bracket - Fushing Stripper	1
7	G038 7273	Fusing Drawer Ass'y (120V)	1
7	G038 7523	Fusing Drawer Ass'y (230V)	1
8	AX44 0118	Fusing Lamp - 120V 770W	1
8	AX44 0119	Fusing Lamp - 230V 770W	1
9	AA00 0301	Decal - Warning (High Temperatre)	1
10	A267 4092	Terminal Plate - Fusing Lamp	1
11	A267 4056	C Ring - Hot Roller	2
12	AB01 1400	Gear - 48Z	1
13	AE03 0029	Ball Bearing - 30x42x7	2
14	AE01 1048	Hot Roller	1
15	AE03 0030	Ball Bearing - 8x19x6	2
16	AE02 0086	Pressure Roller	1
17	A267 4066	Spring - Hot Roller	1
18	A267 4161	Knob Screw	2
19	A267 4075	Shielding Plate - Harness	1
20	AA00 0300	Decal - High Temperature	1
21	G038 4141	Bracket - Fusing Connector	1

Index No.	Part No.	Description	Q'ty Per Assembly
101	0451 3006B	Tapping Screw - M3x6	
102	0954 3006B	Screw - M3X6	
103	0450 3010B	Tapping Screw - M3x10	
104	0720 0060E	Retaining Ring - M6	
105	0720 0030E	Retaining Ring - M3	
106	0451 3008B	Tapping Screw - M3x8	

13.FUSING UNIT 2 (G038)

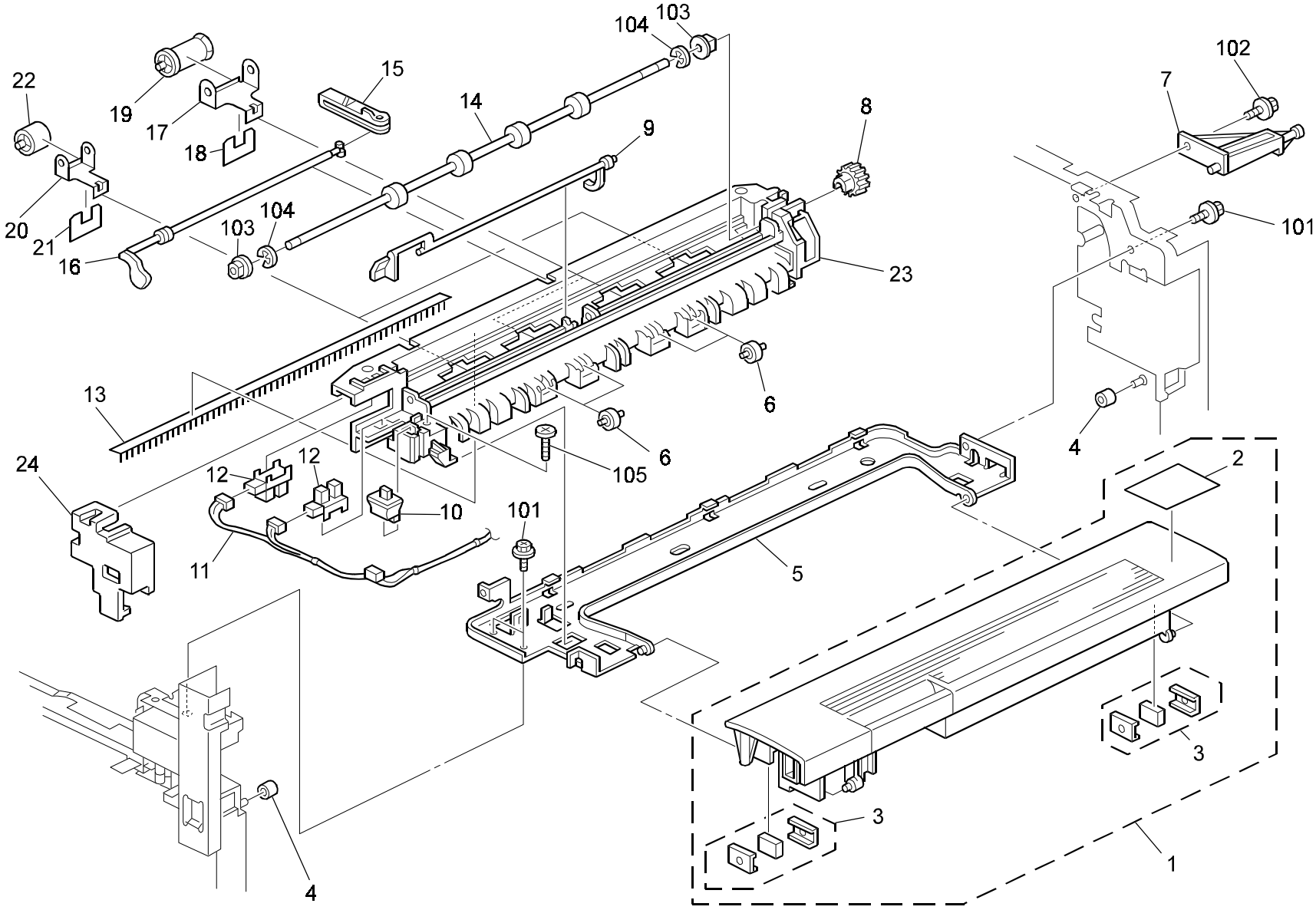


13.FUSING UNIT 2 (G038)

Index No.	Part No.	Description	Q'ty Per Assembly
1	A267 4112	Grip - Fusing Pressure	1
2	A267 4113	Front Lever - Pressure Roller	1
3	A267 4121	Front Side Plate - Fusing Unit	1
4	A267 4111	Shaft - Fusing Pressure	1
5	A267 4115	Rear Lever - Pressure Roller	1
6	A267 4125	Rear Side Plate - Fusing Unit	1
7	A267 4083	Sub Pressure Lever	1
8	A267 4081	Tension Spring - Pressure Lever	1
9	A267 4082	Pressure Lever	1
10	AA08 2073	Roller Busing	2
11	AA06 3570	Tension Spring	2
12	AE04 2029	Fusing Cleaning Roller	1
13	A267 4133	Termofuse	1
14	A267 4091	Terminal Plate - Thermofuse	1
15	A232 2374	Spur	2
16	A267 4076	Spacer - Safety Switch	1
17	A267 4085	Fusing Entrance Guide	1
18	AW10 0050	Thermistor	1
19	G029 4153	Decal - High Temperature	1
20	A267 4072	Lower Frame - Fusing Unit	1

Index No.	Part No.	Description	Q'ty Per Assembly
101	0954 3006B	Screw - M3X6	
102	0450 3008B	Tapping Screw - M3x8	
103	0451 3006B	Tapping Screw - M3x6	
104	0450 3010B	Tapping Screw - M3x10	
105	0954 3010B	Philips Screw - M3x10	

14.PAPER EXIT (G038)

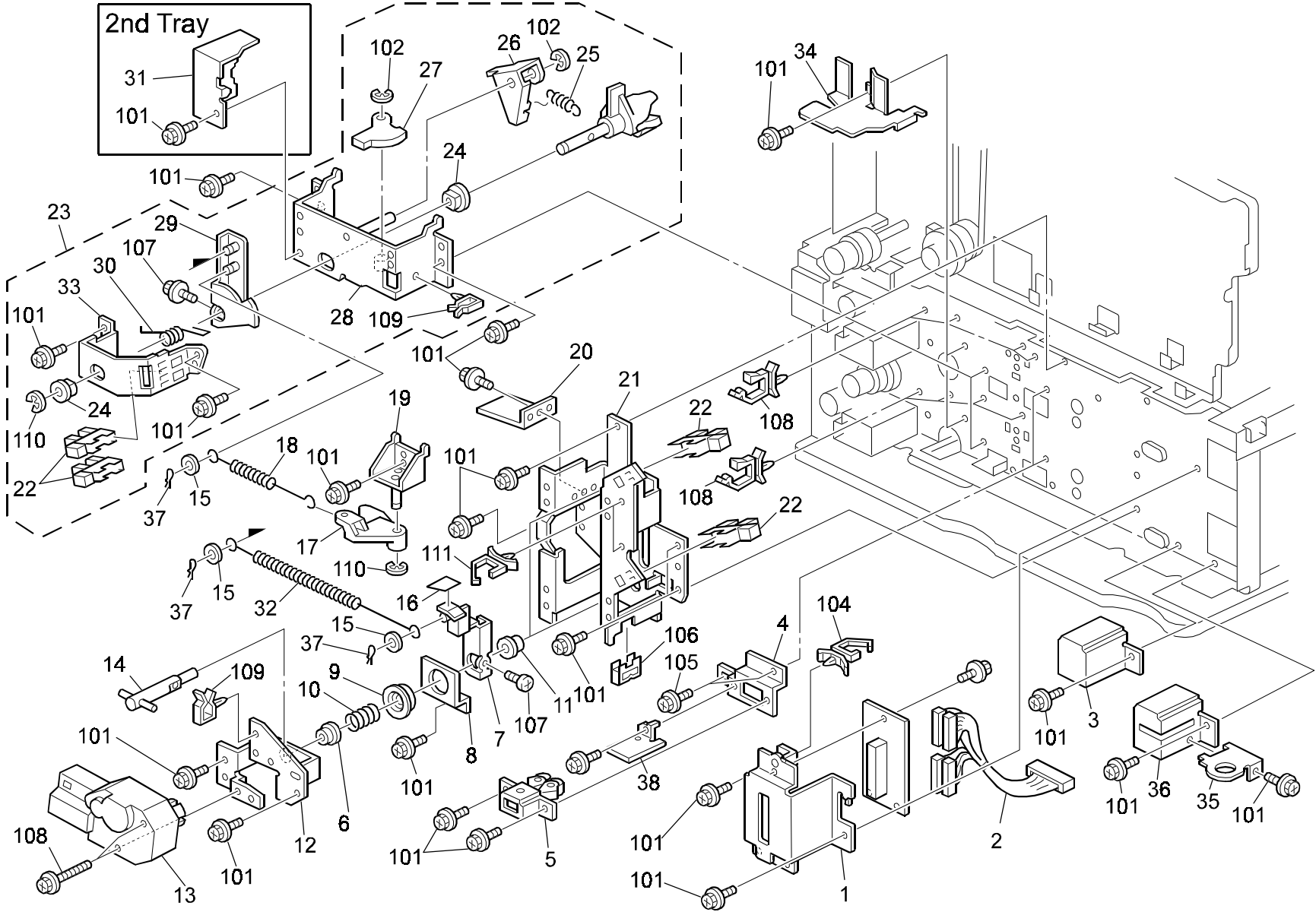


14.PAPER EXIT (G038)

Index No.	Part No.	Description	Q'ty Per Assembly
1	G038 1345	Paper Exit Guide Cover	1
2	G038 1348	Decal - Paper Exit	1
3	AG07 0014	Magnet Catch	2
4	A267 3958	Roller - Lever	2
5	A267 4452	Stay - Paper Exit	1
6	AF02 2112	Driven Roller	4
7	G038 5825	Stand	1
8	AB01 1404	Gear - 19Z	1
9	A267 4476	Feeler - Paper Feed Sensor	1
10	G020 5626	Push Switch	1
11	A267 5207	Relay Harness - Paper Exit Section	1
12	AW02 0086	Photointerruptor	2
13	AA12 0094	Antistatic Brush	1
14	AF02 0475	Exit Roller	1
15	A267 4478	Feeler - Paper Overflow	1
16	A267 4479	Shaft - Paper Overflow	1
17	A267 4474	Spring Plate - Tension Roller	1
18	A267 4486	Stopper	1
19	AF04 0566	Tension Roller	1
20	A267 4483	Spring Plate - Tension Roller	2
21	A267 4487	Outer Stopper	2
22	AF04 0567	Tension Roller	2
23	A267 4454	Guide Plate - Paper Exit	1

Index No.	Part No.	Description	Q'ty Per Assembly
101	0802 5276	Tapping Screw With Waser - M3x6	
102	0451 3006B	Tapping Screw - M3x6	
103	0805 3480	Bushing - 6mm	
104	0720 0040E	Retaining Ring - M4	
105	0802 5283	Tapping Screw - M4x8	

15.DRIVE SECTION 1 (G038)

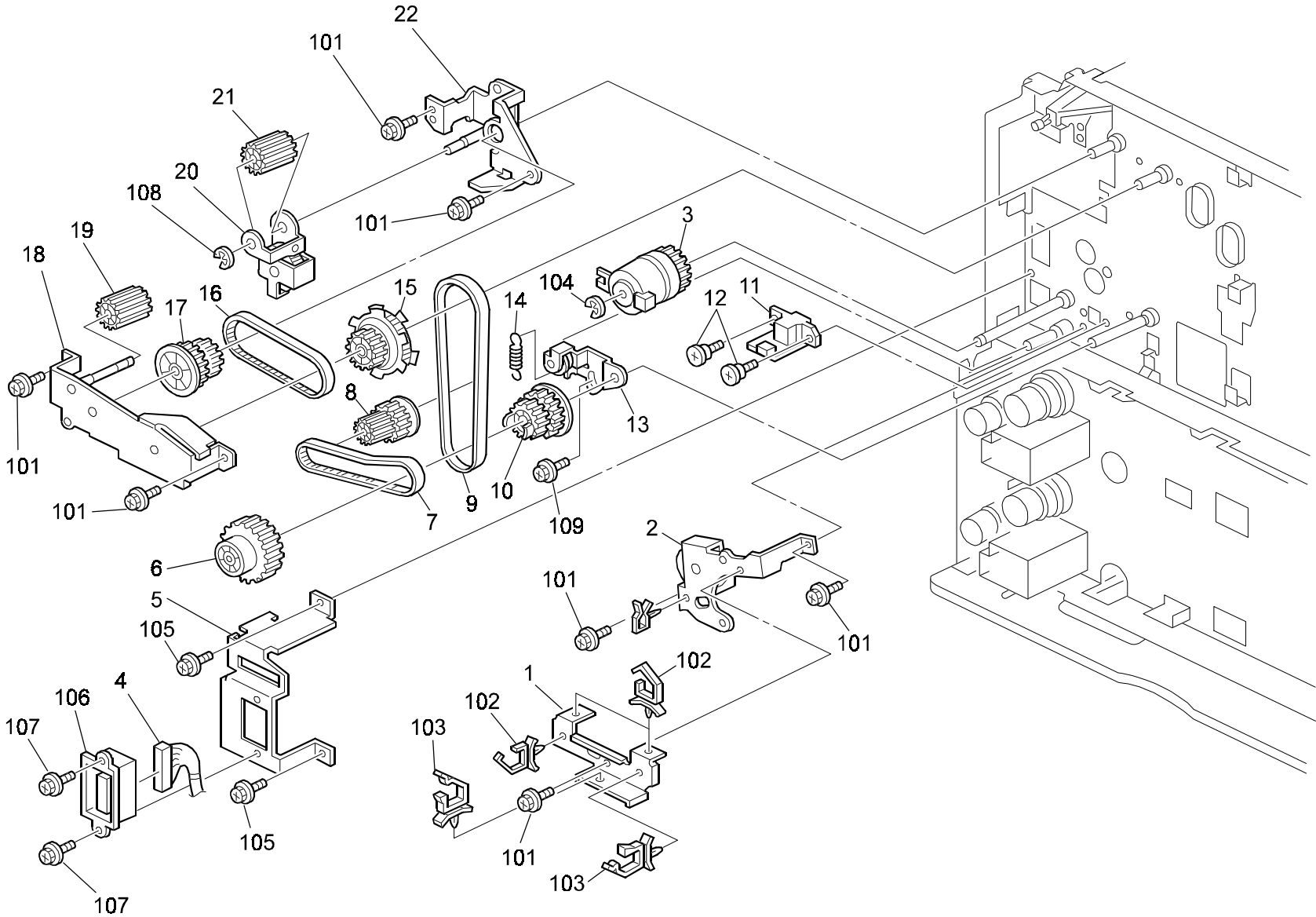


15.DRIVE SECTION 1 (G038)

Index No.	Part No.	Description	Q'ty Per Assembly
1	G038 7551	PCB Bank Bracket	1
2	G038 7560	PCB Bank	1
3	A267 2593	Left Cover Pin	1
4	A267 2908	Bracket - Paper Tray Holder	2
5	G697 1082	Tray Holder	2
6	A267 2847	Bushing - Motor Shaft	2
7	A267 2776	Lever - DC Motor	2
8	A267 2848	Holder - Pressure Spring	2
9	A267 2846	Holder - Spring	2
10	A267 2844	Compression Spring - Return	2
11	A267 2845	Bushing - DC Motor Shaft	2
12	A267 2838	Lower Bracket - Paper Lift Motor	2
13	AX04 0119	DC Motor - 1.92w	2
14	A267 2840	Shaft - DC Motor	2
15	AA13 2208	Spacer - M6	3
16	A267 2849	Shutter - Photointerruptor	2
17	A267 2794	Sub Pressure Lever	2
18	A267 2772	Tension Spring - Sub	2
19	A267 2781	Bracket - Pressure Lever	2
20	A267 2839	Harness Cover - Paper Feed	1
21	A267 2837	Upper Bracket - Paper Lift Motor	1
22	AW02 0075	Photointerruptor	6
23	A267 2780	Tray Lift Assembly	2
24	AA08 2070	Bushing - 8x16x7	4
25	A267 2766	Tension Spring - Stopper	2
26	A267 2765	Stopper - Pressure Lever	2
27	A267 2770	Vibrating Plate	2
28	A267 2815	Bracket - Uppe Paper Lift	2
29	A267 2777	Actuator - Paper Height Sensor	2
30	A267 2767	Torsion Spring - Joint	2
31	A267 2592	Right Cover Pin	1
32	A267 2771	Tension Spring - Main	2
33	A267 2773	Bracket - Rising 2	2
34	A267 2595	Spring Guard - Paper Feed	2
35	G038 2587	Left Holder - Positioning Pin	1

Index No.	Part No.	Description	Q'ty Per Assembly
36	G038 2586	Positioning Pin Cover - Left	1
37	A267 2836	Pin - M6	6
38	A267 2916	Bracket - Heater Harness	2
39	G038 5237	Bank Connectiong Harness	1
101	0451 3006B	Tapping Screw - M3x6	
102	0720 0040E	Retaining Ring - M4	
103	0451 3008H	Tapping Screw - 3x8	
104	1105 0487	Harness Clamp	
105	0451 3008B	Tapping Screw - M3x8	
106	1105 0329	Clamp - ES-0510	
107	0801 0150	Philips Screw - M4x8	
108	0451 3030B	Tapping Screw - 3x30	
109	1105 0283	Clamp	
110	0720 0060E	Retaining Ring - M6	
111	1105 0460	Clamp	

16.DRIVE SECTION 2 (G038)

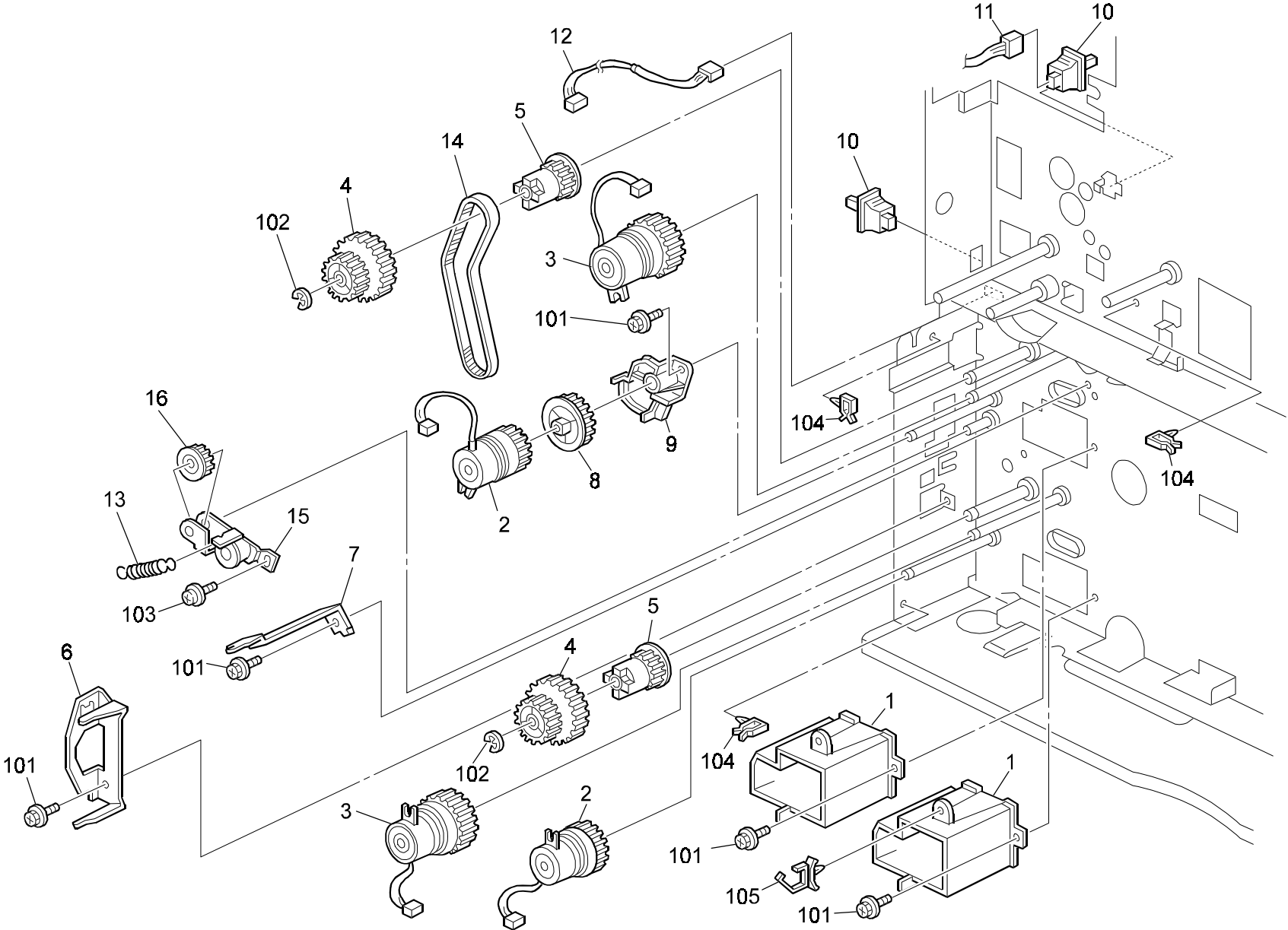


16.DRIVE SECTION 2 (G038)

Index No.	Part No.	Description	Q'ty Per Assembly
1	A267 5824	Bracket - Harness	1
2	A267 1183	Bracket - Paper Feed Drive	1
3	AX20 0165	Magnetic Clutch	1
4	G038 5236	Manual Feed Unit Harness	1
5	A267 5826	Connector Bracket - Bypass Feed	1
6	AB01 4050	Gear - 44Z	1
7	AA04 3516	Timing Belt - S3M - 342	1
8	AB01 7504	Gear - 24Z	1
9	AA04 3514	Timing Belt - S3M - 420	1
10	AB03 3091	Timing Pulley - 31T/36T	1
11	A267 5156	PCU Detector Board	1
12	G020 5829	Shoulder Screw - M3x2.5	2
13	A267 1115	Tension Bracket	1
14	AA06 0792	Tension Spring	1
15	AB03 3092	Timing Pulley - 27T/48T	1
16	AA04 3515	Timing Belt - S3M - 225	1
17	AB01 7503	Gear - 35Z/28Z	1
18	A267 1162	Cover - Fusing Drive	1
19	AB01 1204	Gear - 27Z	1
20	A267 1170	Drive Gear - 36Z	1
21	AB01 1203	Gear - 30Z	1
22	A267 1159	Bracket - Fusing Drive	1

Index No.	Part No.	Description	Q'ty Per Assembly
101	0451 3006B	Tapping Screw - M3x6	
102	1105 0460	Clamp	
103	1105 0488	Harness Clamp	
104	0720 0060E	Retaining Ring - M6	
105	0802 5276	Tapping Screw With Washer - M3x6	
106	1102 7672	Connector - 54111-1615	
107	0451 3008H	Tapping Screw - 3x8	
108	0720 0040E	Retaining Ring - M4	
109	0802 5279	Tapping Screw With Washer - M3x8	

17.DRIVE SECTION 3 (G038)

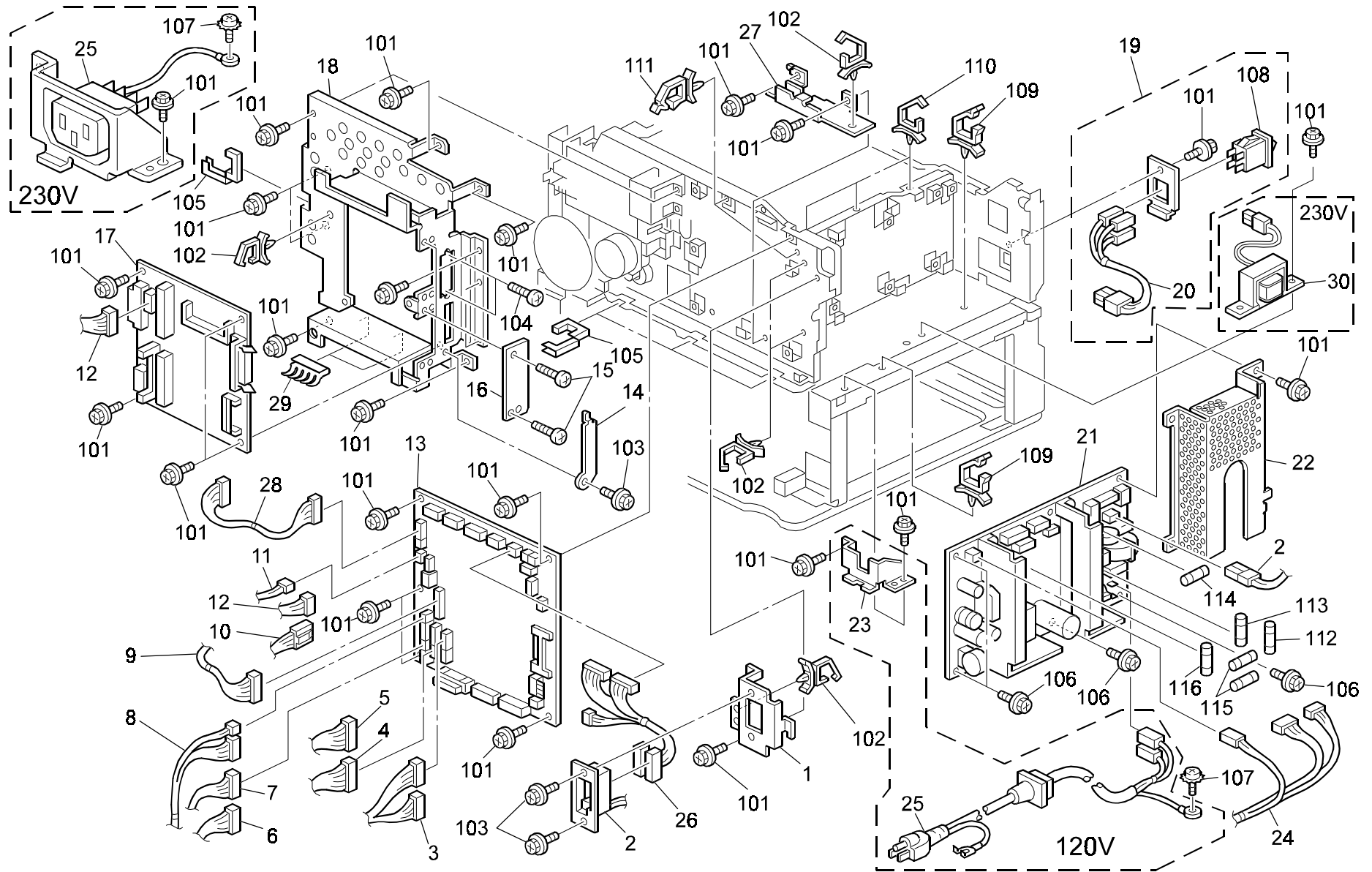


17.DRIVE SECTION 3 (G038)

Index No.	Part No.	Description	Q'ty Per Assembly
1	A267 2596	Right Drive Guard	2
2	AX20 0167	Magnetic Clutch	2
3	AX20 0166	Magnetic Clutch	2
4	AB01 1199	Gear - 31Z/54Z	2
5	AB03 0626	Timing Pulley - 20T	2
6	A267 2605	Support Bracket - Transport Clutch	1
7	A267 2604	Stopper - Feed Clutch	1
8	AB01 1200	Gear - 38Z	1
9	A267 2601	Positioning Guide - Bypass Feed	1
10	G020 5626	Push Switch	2
11	G038 5203	Sensor Harness - New Article	1
12	A267 5236	Relay Harness - ID Sensor	1
13	AA06 0792	Tension Spring	1
14	AA04 3517	Timing Belt - S3M - 315	1
15	A267 2602	Tensioner	1
16	AB03 0627	Timing Pulley - 18T	1

Index No.	Part No.	Description	Q'ty Per Assembly
101	0451 3006B	Tapping Screw - M3x6	
102	0720 0060E	Retaining Ring - M6	
103	0802 5279	Tapping Screw With Washer - M3x8	
104	1105 0283	Clamp	
105	1105 0460	Clamp	

18.ELECTRICAL SECTION 1 (G038)

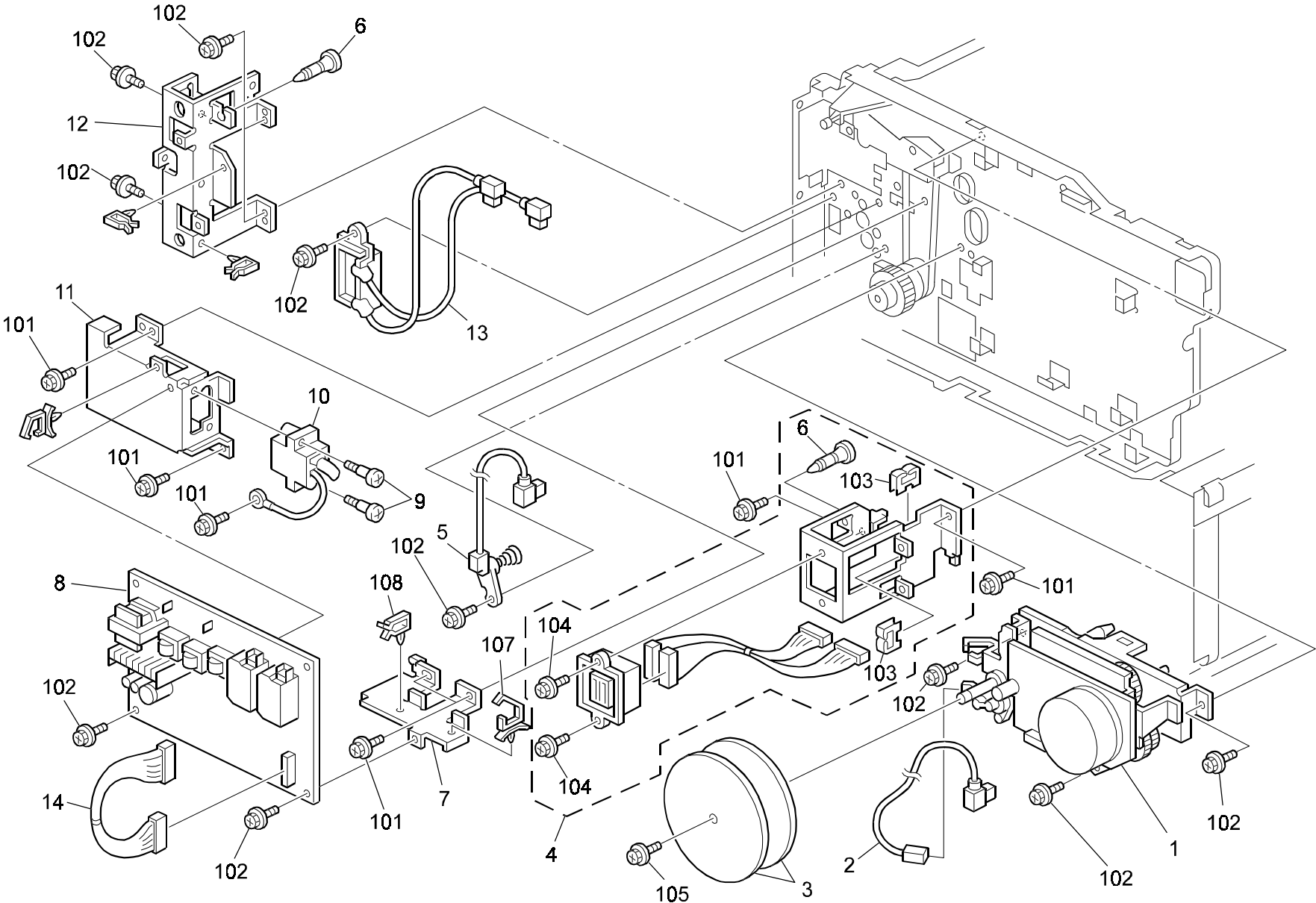


18.ELECTRICAL SECTION 1 (G038)

Index No.	Part No.	Description	Q'ty Per Assembly
1	G038 5823	Connector Bracket - Joint Unit	1
2	G038 7561	PSU Joint Harness	1
3	G038 5213	Paper Feed Harness - 2	1
4	G038 5211	Paper Size Sensor Harness	1
5	G038 5216	Process Control Harness	1
6	G038 5215	Paper Feed Harness - Motor	1
7	G038 5212	Paper Feed Harness - 1	1
8	G038 5201	Motor Harness	1
9	G038 5241	LDD Harness	1
10	G038 5209	Safety Switch Harness	1
11	G038 5205	Toner Bottle Harness	1
12	G038 5243	Mirror Motor Harness - Polygon	1
13	G038 7611	PCB - Engine Board - USA	1
13	G038 7631	PCB - Engine Board - EUR	1
14	G038 5826	Cover - IC Card	1
15	G020 1391	Screw - M3x4.5	2
16	G038 5813	Connector Cover - Control Board	1
17	G038 5364	Printer Controller Board	1
18	G038 5811	Shield Plate - Controller Board	1
19	A267 5822	Main Switch Ass'y	1
20	A267 5229	Harness - AC Switch	1
21	A250 5720	Power Supply Unit (120V)	1
21	A250 5722	Power Supply Unit (230V)	1
22	G038 7562	PSU Guide Bracket	1
23	G038 5817	Power Supply Cord Bracket (120V)	1
24	G038 5225	Power Supply Unit Harness (120V)	1
24	G038 7582	PSU Harness - EUR	1
25	G038 7557	Power Cord Stopper - 115V	1
25	G038 7580	Bracket - Power Inlet (230V)	1
26	G038 5233	Joint Unit Harness	1
27	G038 5815	Harness Bracket	1
28	G038 5223	P.P/R-P Harness	1
29	G038 5827	Spring Plate	2
30	N607 4525	Coil - RITL-9704	1

Index No.	Part No.	Description	Q'ty Per Assembly
101	0451 3006B	Tapping Screw - M3x6	
102	1105 0460	Clamp	
103	0451 3008H	Tapping Screw - 3x8	
104	0353 0100Z	Bind Screw - M3x10	
105	1105 0334	Edge - 17	
106	0804 6075	Hexagonal Bolt - M3x8	
107	0801 0149	Philips Pan Head Screw - M4x6	
108	1204 2477	Locker Switch - AC250V 10A	
109	1105 0292	Wire Saddle	
110	1105 0487	Harness Clamp	
111	1105 0291	Harness Clamp - LWS-3S	
112	1107 0629	Fuse - 15A 125V (120V)	
113	1107 0393	Fuse - 8A 125V (120V)	
113	1107 0750	Fuse - 3.15A 250V (230V)	
114	1107 0354	Fuse - 3.15A 125V (120V)	
114	1107 0750	Fuse - 3.15A 250V (230V)	
115	1107 0390	Fuse - 4A 125V (120V)	
115	1107 0751	Fuse - 4A 250V (230V)	
116	1107 0388	Fuse - 2A 125V (120V)	
116	1107 0748	Fuse - 2A, 250V (230V)	

19.ELECTRICAL SECTION 2 (G038)

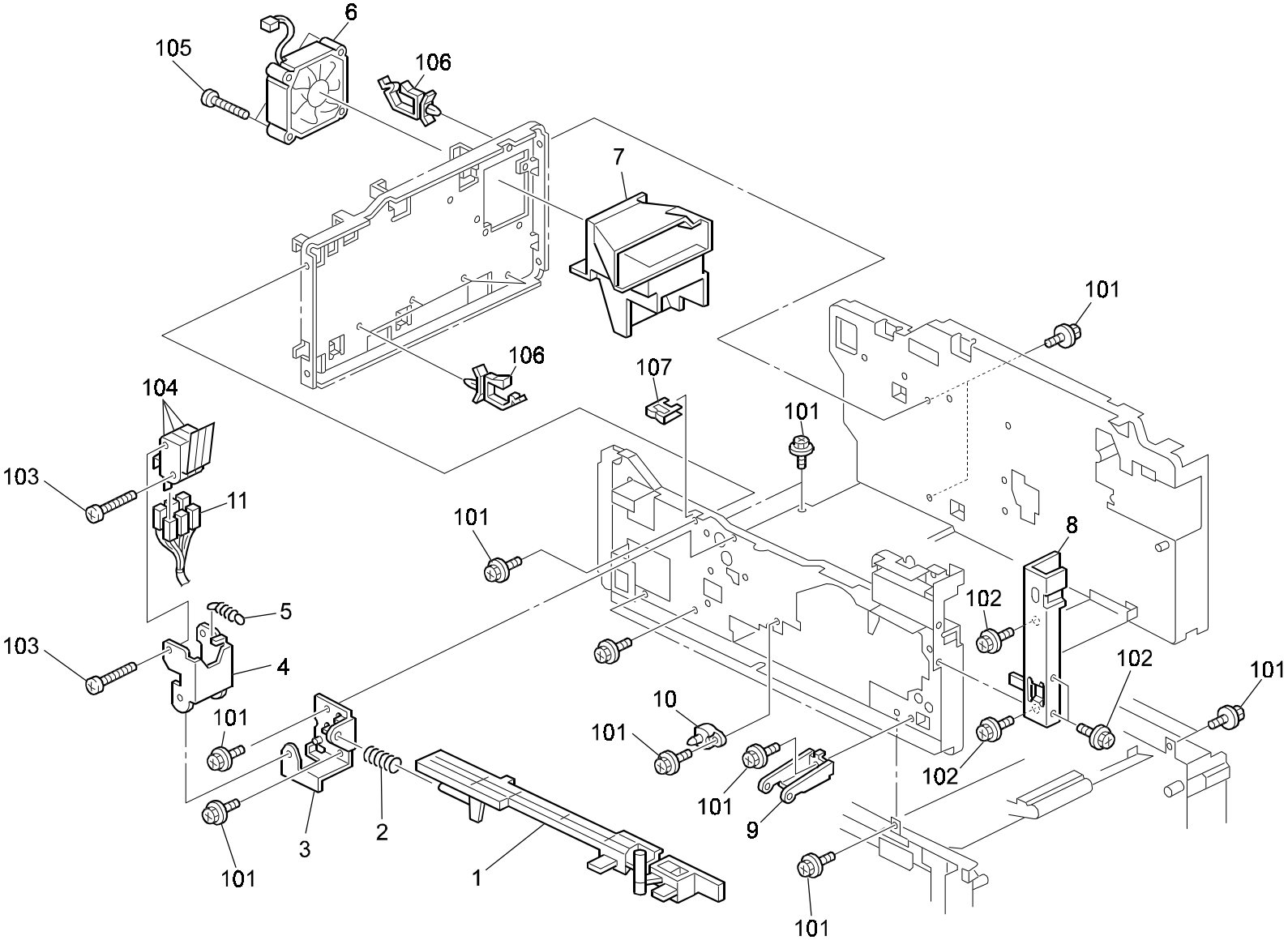


19.ELECTRICAL SECTION 2 (G038)

Index No.	Part No.	Description	Q'ty Per Assembly
1	AX06 0199	Main Motor - DC 28W	1
2	G038 5224	High Voltage Harness - B	1
3	A267 1184	Fly Wheel	2
4	G038 5816	Gate Pawl Bracket	1
5	A267 3461	Receptacle - Change Roller	1
6	G020 5871	Spacer - KGLS-12RF	2
7	G038 5819	Power Pack Bracket	1
8	A267 5730	Power Pack - BCTD	1
9	AA14 3301	Stepped Screw - M3x4	2
10	G038 7556	Fusing Harness -115V	1
10	G038 7586	Fusing Harness - EUR	1
11	G038 1076	Rear Guide Plate - Fusing Unit	1
12	G038 1079	Right Rear Frame	1
13	A267 3950	Receptacle - Transfer/Sprtion Unit	1
14	G038 5223	P.P/R-P Harness	1

Index No.	Part No.	Description	Q'ty Per Assembly
101	0451 3006B	Tapping Screw - M3x6	
102	0802 5276	Tapping Screw With Waser - M3x6	
103	1105 0329	Clamp - ES-0510	
104	0451 3008H	Tapping Screw - 3x8	
105	0951 3008B	Philips Screw With Flat Washer - M3x8	

20.FRAME SECTION (G038)



20.FRAME SECTION (G038)

Index No.	Part No.	Description	Q'ty Per Assembly
1	A267 5815	Lever - Door Switch	1
2	A267 5820	Compression Spring	1
3	A267 5812	Bracket - Door Switch	1
4	A267 5813	Bracket - Micro Switch	1
5	A267 5821	Tension Spring - Door Switch	1
6	A267 1105	Exhaust Fan Motor - DC 2.88W	1
7	A267 1102	Duct - Fam Motor	1
8	G038 1078	Right Front Frame	1
9	A267 1088	Hinge - Front Cover	2
10	A267 1930	Positioning Bracket - Laser Unit	1
11	G038 5209	Safety Switch Harness	1

Index No.	Part No.	Description	Q'ty Per Assembly
102	0802 5276	Tapping Screw With Waser - M3x6	
103	0313 0350B	Philips Pan Head Screw - M3x35	
104	1204 2510	Micro Switch	
105	0314 0300B	Philips Pan Head Screw - M4x30	
106	1105 0487	Harness Clamp	
107	1105 0334	Edge - 17	

21.PRINTER CONTROL BOARD (G038)

CAPACITOR

SYMBOL NO.	INDEX NO.	SYMBOL NO.	INDEX NO.	SYMBOL NO.	INDEX NO.	SYMBOL NO.	INDEX NO.	SYMBOL NO.	INDEX NO.	SYMBOL NO.	INDEX NO.		
C 1	134	C 11	--	C 21	166	C 31	--	C 41	169	C 51	169	C 61	165
C 2	134	C 12	--	C 22	166	C 32	160	C 42	169	C 52	163	C 62	166
C 3	160	C 13	163	C 23	166	C 33	160	C 43	--	C 53	136	C 63	169
C 4	169	C 14	133	C 24	166	C 34	--	C 44	169	C 54	166	C 64	166
C 5	169	C 15	166	C 25	--	C 35	169	C 45	169	C 55	166	C 65	169
C 6	159	C 16	166	C 26	135	C 36	169	C 46	169	C 56	169	C 66	169
C 7	159	C 17	166	C 27	161	C 37	--	C 47	--	C 57	169	C 67	169
C 8	159	C 18	166	C 28	161	C 38	--	C 48	169	C 58	163	C 68	161
C 9	--	C 19	160	C 29	161	C 39	--	C 49	169	C 59	169	C 69	169
C 10	--	C 20	169	C 30	--	C 40	169	C 50	169	C 60	165	C 70	169

CAPACITOR

SYMBOL NO.	INDEX NO.	SYMBOL NO.	INDEX NO.	SYMBOL NO.	INDEX NO.	SYMBOL NO.	INDEX NO.	SYMBOL NO.	INDEX NO.	SYMBOL NO.	INDEX NO.		
C 71	166	C 81	164	C 91	166	C 101	163	C 111	163	CN 501	107	CN 511	106
C 72	169	C 82	163	C 92	--	C 102	162	C 112	172	CN 502	104	CN 512	--
C 73	161	C 83	118	C 93	--	C 103	162	C 113	163	CN 503	--		
C 74	161	C 84	169	C 94	169	C 104	167	C 114	172	CN 504	105		
C 75	161	C 85	118	C 95	169	C 105	172	C 115	167	---	--		
C 76	169	C 86	169	C 96	--	C 106	163	C 116	--	CN 506	103		
C 77	163	C 87	118	C 97	--	C 107	172	C 117	163	CN 507	103		
C 78	169	C 88	118	C 98	166	C 108	172	C 118	166	CN 508	--		
C 79	169	C 89	169	C 99	118	C 109	167			CN 509	102		
C 80	118	C 90	166	C 100	137	C 110	167			CN 510	101		

CONNECTOR

SYMBOL NO.	INDEX NO.
CN 511	106
CN 512	--

21.PRINTER CONTROL BOARD (G038)

FILTER

SYMBOL NO.	INDEX NO.
FIL 1	138
FIL 2	138
FIL 3	138
FIL 4	138
FIL 5	138
FIL 6	138
FIL 7	138
FIL 8	138
FIL 9	140
FIL 10	158

SYMBOL NO.	INDEX NO.
FIL 103	158
FIL 105	158

IC

SYMBOL NO.	INDEX NO.
IC 1	170
IC 2	--
IC 3	--
IC 4	170
---	--
IC 6	1
IC 7	121
IC 8	117
IC 9	112
IC 10	118

SYMBOL NO.	INDEX NO.
IC 11	--
IC 12	--
IC 13	113
IC 14	115
IC 15	119
IC 16	113
IC 17	--
IC 18	119
IC 19	116
IC 20	116

SYMBOL NO.	INDEX NO.
IC 21	--
IC 22	--
---	--
IC 24	2
IC 25	114
IC 26	111
(Socket)	108
IC 27	--
IC 28	120
IC 29	122
IC 30	--

JP

SYMBOL NO.	INDEX NO.
JP 2	158
JP 18	158
JP 24	158
JP 27	158
JP 31	158
JP 33	158
JP 50	158

LED

SYMBOL NO.	INDEX NO.
LDE 1	110
LDE 2	110

OSC

SYMBOL NO.	INDEX NO.
OSC 1	124
OSC 2	--

REG

SYMBOL NO.	INDEX NO.
REG 5	123

RESISTOR

SYMBOL NO.	INDEX NO.
R 1	142
R 2	143
R 3	151
R 4	151
R 5	151
R 6	150
R 7	150
R 8	150
R 9	150
R 10	150

SYMBOL NO.	INDEX NO.
R 11	150
R 12	150
R 13	150
R 14	142
R 15	151
R 16	145
R 17	142
R 18	--
R 19	--
R 20	--

SYMBOL NO.	INDEX NO.
R 21	--
R 22	150
R 23	142
R 24	150
R 25	151
R 26	150
R 27	142
R 28	142
R 29	145
R 30	155

SYMBOL NO.	INDEX NO.
R 31	142
R 32	157
R 33	145
R 34	152
R 35	150
R 36	150
R 37	141
R 38	153
R 39	147
R 40	144

SYMBOL NO.	INDEX NO.
R 41	153
R 42	142
R 43	171
R 44	151
R 45	--
R 46	150
R 47	150
R 48	150
R 49	150
R 50	150

21.PRINTER CONTROL BOARD (G038)

RESISTOR

SYMBOL NO.	INDEX NO.
R 51	150
R 52	150
R 53	150
R 54	150
R 55	148
R 56	154
R 57	154
R 58	154
R 59	--
R 60	146

SYMBOL NO.	INDEX NO.
R 61	150
R 62	150
R 63	150
R 64	150
R 65	151
R 66	151
R 67	151
R 68	151
R 69	151
R 70	151

SYMBOL NO.	INDEX NO.
R 71	156
R 72	156
R 73	145
R 74	155
R 75	155
R 76	145
R 77	149
R 78	--
R 79	--
R 80	--

SYMBOL NO.	INDEX NO.
R 81	--
R 82	139
R 83	139
R 84	139
R 85	139
R 86	139
R 87	139
R 88	139
R 89	139
R 90	139

SYMBOL NO.	INDEX NO.
R 91	139
R 92	139
R 93	139
R 94	--
R 95	--
R 96	--
R 97	139
R 98	150
R 99	150
R 100	150

SYMBOL NO.	INDEX NO.
R 101	150
R 102	147
---	--
R 104	--
---	--
R 106	--
R 107	150
R 108	150
R 109	150
R 110	150

SYMBOL NO.	INDEX NO.
R 111	--
R 112	150
R 113	150
R 114	150
R 115	141

RN

SYMBOL NO.	INDEX NO.
RN 1	125
RN 2	131
RN 3	128
RN 4	128
RN 5	128
RN 6	130
RN 7	128
RN 8	131
RN 9	125
RN 10	125

SYMBOL NO.	INDEX NO.
RN 11	--
RN 12	--
RN 13	126
RN 14	129
RN 15	130
RN 16	130
RN 17	130
RN 18	130
RN 19	130
RN 20	130

SYMBOL NO.	INDEX NO.
RN 21	130
RN 22	130
RN 23	128
RN 24	128
RN 25	128
RN 26	--
RN 27	128
RN 28	128
RN 29	132
RN 30	132

SYMBOL NO.	INDEX NO.
RN 31	132
RN 32	127
RN 33	127
RN 34	127
RN 35	127
RN 36	127
RN 37	127
RN 38	127
RN 39	127
RN 40	128

SYMBOL NO.	INDEX NO.
RN 41	128
RN 42	128
RN 43	128
RN 44	128
RN 45	128
RN 46	128
RN 47	128
RN 48	128

SW

SYMBOL NO.	INDEX NO.
SW 1	109
SW 2	--

21.PRINTER CONTROL BOARD (G038)



Index No.	Part No.	Description	Q'ty Per Assembly
*	G038 5364	Printer Controller Board	1
1	G038 5300	IC - ASIC Rocky-R	1
2	G038 5352	IC - FONT 8MBIT	1

Index No.	Part No.	Description	Q'ty Per Assembly
101	1102 5409	Connector - 20P	
102	1102 6019	Connector - FCN685J036-I/YA	
103	1102 7358	Connector - 80P	
104	1102 7585	DIMM Connector - 93764-51872	
105	1102 8090	Connector - TX25-30P-12ST-N1	
106	1102 8153	IC Card Connector - FCN-568P068-G/05A-V4	
107	1102 8189	DIMM Connector - 54534-1440	
108	1104 0588	Dip Socket - 28p	
109	1204 2368	Dip Switch - DSS804	
110	1403 0953	LED SML-310MT	
111	1407 4730	SRAM STK12C68-W45	
112	1407 4786	CMOS IC - TC74ACT273F	
113	1407 4876	CMOS IC - 74VHC244 TSSOP	
114	1407 4919	CMOS IC - 74VHCT244 TSSOP	
115	1407 5040	IC - SN74LVC161284DL	
116	1407 5087	CMOS IC - SN74LVCH16245ADGG	
117	1407 5104	IC - UPD30210GD-167-MBB	
118	1407 5122	CMOS IC - TC74ACT374FT	
119	1407 5125	Flash Memory - MBM29P1160TD-75pFTN	
120	1407 5164	IC - W166G	
121	1407 5174	CMOS IC - SN74LVC04APW	
122	1408 0611	IC - 3771	
123	1408 1454	IC - LM1085IS-3.3	
124	1503 0913	Crystal Oscilator - 63.90959mhz	
125	1601 7752	Resistor Array - 10K Ω \pm 5%	
126	1601 7753	Resistor - 47 Ω \pm 5%	
127	1601 7760	Resistor Array	
128	1601 7867	Resistor - 33 Ω \pm 5% 1/16W	
129	1601 7869	Resistor - 1.2K Ω \pm 5% 1/16W	
130	1601 7871	Resistor - 68 Ω \pm 5% 1/16W	
131	1601 7892	Resistor - 120 Ω \pm 5% 1/16W	
132	1601 7895	Resistor - 180 Ω \pm 5% 1/16W	
133	1604 4333	Capacitor - 100 μ F \pm 20% 10V	
134	1604 4428	Capacitor 100 μ F20% 16V	
135	1604 4692	Capacitor - 220mF \pm 20% 16V	

Index No.	Part No.	Description	Q'ty Per Assembly
136	1605 0912	Capacitor - 0.082 μ F \pm 10% 25V	
137	1605 0989	Capacitor - 0.22mF +80 -20% 16V	
138	1607 0978	Inductor - BLM21P300SPB	
139	1607 1124	Filter - BLM11A471SGPB	
140	1607 1161	Filter - NFM39R12C223	
141	1630 4100	Resistor - 10 Ω \pm 5% 1/16W	
142	1630 4103	Resistor - 10K Ω \pm 5% 1/16W	
143	1630 4104	Resistor - 100 Ω \pm 5% 1/16W	
144	1630 4121	Resistor - 120 Ω \pm 5% 1/16W	
145	1630 4122	Resistor - 1.2K Ω 5% 1/16W	
146	1630 4124	Resistor - 120K Ω \pm 5%1/16W	
147	1630 4181	Resistor - 180 Ω \pm 5% 1/16W	
148	1630 4221	Resistor - 220 Ω \pm 5% 1/16W	
149	1630 4222	Resistor - 2.2K Ω \pm 5%	
150	1630 4330	Resistor - 33 Ω \pm 5% 1/8W	
151	1630 4470	Resistor - 470 Ω \pm 5% 1/16W	
152	1630 4472	Resistor - 4.7K Ω \pm 5% 1/16W	
153	1630 4519	Resistor - 5.1 Ω \pm 5% 1/16W	
154	1630 4560	Resistor - 56 Ω \pm 5% 1/16W	
155	1630 4680	Resistor - 68 Ω \pm 5% 1/16W	
156	1630 4681	Resistor - 680 Ω \pm 5% 1/16W	
157	1630 4820	Resistor - 82 Ω \pm 5% 1/16W	
158	1634 0000	Resistor - 0 Ω 1/16W	
159	1644 0220	Capacitor - 22 μ F \pm 20% 10V	
160	1644 1100	Capacitor - 10 μ F \pm 20% 16V	
161	1660 2221	Capacitor - 220pF +80-20% 50V	
162	1660 2330	Capacitor - 33pF - \pm 5% - 50V	
163	1660 2470	Capacitor - 47pF \pm 5% 50V	
164	1660 2471	Capacitor - 470pF - \pm 5% - 50V	
165	1660 2680	Capacitor - 68pF \pm 5% 50V	
166	1660 4102	Capacitor - 1000pF \pm 10% 50V	
167	1660 4222	Capacitor - 2200pF - \pm 10% - 50V	
168	1660 6103	Capacitor - 10000pF - +80%-20%, 50V	

Index No.	Part No.	Description	Q'ty Per Assembly
169	1660 8104	Capacitor - 0.1 μ F+80-20% 25V	
170	1907 0007	SDRAM - 64M 1MX16X4 100MHz G3	

22.ENGINE BOARD (G038)

CAPACITOR

SYMBOL NO.	INDEX NO.	SYMBOL NO.	INDEX NO.	SYMBOL NO.	INDEX NO.	SYMBOL NO.	INDEX NO.	SYMBOL NO.	INDEX NO.	SYMBOL NO.	INDEX NO.		
--	--	C 11	183	C 21	194	C 31	185	C 41	194	C 51	192	C 61	192
C 2	191	C 12	184	C 22	194	C 32	192	C 42	194	C 52	192	C 62	192
C 3	194	C 13	183	C 23	192	C 33	190	C 43	194	C 53	192	C 63	192
C 4	194	C 14	192	C 24	192	C 34	192	C 44	--	C 54	192	C 64	194
C 5	191	C 15	192	C 25	194	C 35	187	C 45	192	C 55	192	C 65	192
C 6	187	C 16	192	C 26	192	C 36	187	C 46	192	C 56	192	C 66	194
C 7	194	C 17	192	C 27	194	C 37	187	C 47	194	C 57	192	C 67	194
C 8	192	C 18	192	C 28	194	C 38	187	C 48	194	C 58	192	C 68	194
C 9	192	C 19	187	C 29	194	C 39	187	C 49	192	C 59	192	C 69	194
C 10	192	C 20	194	C 30	186	C 40	187	C 50	192	C 60	192	C 70	192

CAPACITOR

SYMBOL NO.	INDEX NO.	SYMBOL NO.	INDEX NO.	SYMBOL NO.	INDEX NO.	SYMBOL NO.	INDEX NO.	SYMBOL NO.	INDEX NO.	SYMBOL NO.	INDEX NO.		
C 71	192	C 81	192	C 91	192	C 101	194	C 111	192	C 121	192	C 131	188
C 72	192	C 82	192	C 92	192	C 102	194	C 112	192	C 122	192	C 132	192
C 73	192	C 83	192	C 93	192	C 103	194	C 113	194	C 123	192	C 133	194
C 74	192	C 84	194	C 94	192	C 104	194	C 114	194	C 124	194	C 134	194
C 75	192	C 85	194	C 95	192	C 105	194	C 115	194	C 125	192	C 135	194
C 76	192	C 86	194	C 96	192	C 106	194	C 116	194	C 126	193	C 136	194
C 77	192	C 87	194	C 97	192	C 107	187	C 117	194	C 127	194	C 137	187
C 78	192	C 88	194	---	--	C 108	187	C 118	194	C 128	193	C 138	194
C 79	192	C 89	192	C 99	194	C 109	187	C 119	194	C 129	157	C 139	194
C 80	192	C 90	194	C 100	1092	C 110	192	C 120	190	C 130	188	C 140	194

CAPACITOR

SYMBOL NO.	INDEX NO.
C141	192
C142	192
C143	192
C144	192
C145	194
C146	192
C147	192
C148	192
C149	192
C150	192

SYMBOL NO.	INDEX NO.
C151	192
C152	192
C153	190
C154	190
C155	189
C156	189
C157	192
C158	192
C159	194
C160	194

SYMBOL NO.	INDEX NO.
C161	186
C162	193
C163	193
C164	192
C165	192
C166	193
C167	187
C168	192
C169	192
C170	194

CONNECTOR

SYMBOL NO.	INDEX NO.
CN 99	117
CN 101	122
CN 104	103
CN 105	123
CN 110	121
CN 130	102
CN 134	116
CN 201	110
CN 203	101
CN 205	103

SYMBOL NO.	INDEX NO.
CN 206	106
CN 209	114
CN 216	108
CN 221	103
CN 223	113
CN 225	104
CN 226	115
CN 228	104
CN 231	119
CN 232	120

SYMBOL NO.	INDEX NO.
CN 233	108
CN 234	106
CN 236	118
CN 242	105
CN 305	119
CN 306	107
CN 307	109
CN 308	111
CN 309	112

DA

SYMBOL NO.	INDEX NO.
DA 1	133
DA 2	133
DA 3	133
DA 4	133
DA 5	133

DIODE

SYMBOL NO.	INDEX NO.
D 1	131
D 2	131

FILTER

SYMBOL NO.	INDEX NO.
FIL 1	159
FIL 2	159
FIL 3	159
FIL 4	159
FIL 5	159
FIL 6	159
FIL 7	159
FIL 8	159
FIL 9	158
FIL 10	159

SYMBOL NO.	INDEX NO.
FIL 11	159
FIL 12	159
FIL 13	159
FIL 14	158

FUSE

SYMBOL NO.	INDEX NO.
FU 1	125
FU 2	126

IC

SYMBOL NO.	INDEX NO.
IC 1	144
(Socket)	124
IC 2	140
IC 3	141
IC 4	147
IC 5	145
IC 6	140
IC 7	140
IC 8	148
IC 9	136
IC 10	139

SYMBOL NO.	INDEX NO.
IC 11	146
IC 12	1
IC 13	140
---	--
IC 15	136
IC 16	2
IC 17	140
IC 18	140
IC 19	136
IC 20	136

SYMBOL NO.	INDEX NO.
IC 21	195
---	--
IC 23	138
IC 24	149
---	--
IC 26	143
IC 27	137

JP

SYMBOL NO.	INDEX NO.
JP 1	180
JP 3	180

LED

SYMBOL NO.	INDEX NO.
LED 1	134
LED 2	135

OSC

SYMBOL NO.	INDEX NO.
OSC 1	150
OSC 2	151

22.ENGINE BOARD (G038)

Q RESISTOR

SYMBOL NO.	INDEX NO.	SYMBOL NO.	INDEX NO.	SYMBOL NO.	INDEX NO.	SYMBOL NO.	INDEX NO.	SYMBOL NO.	INDEX NO.	SYMBOL NO.	INDEX NO.	SYMBOL NO.	INDEX NO.
Q 1	127	R 1	169	R 11	169	R 21	169	R 31	169	R 41	169	R 51	170
---	--	R 2	174	R 12	170	R 22	170	R 32	170	R 42	170	R 52	178
Q 3	142	R 3	172	R 13	172	R 23	170	R 33	174	R 43	174	---	--
Q 4	130	R 4	175	R 14	172	R 24	174	R 34	170	R 44	169	R 54	171
Q 5	129	R 5	169	R 15	172	R 25	170	R 35	169	R 45	175	R 55	160
Q 6	142	R 6	172	R 16	169	R 26	176	R 36	174	R 46	175	R 56	177
Q 7	142	R 7	172	R 17	175	R 27	169	R 37	169	R 47	175	R 57	177
Q 8	128	R 8	172	R 18	172	R 28	170	R 38	169	R 48	152	R 58	177
		R 9	169	R 19	169	R 29	169	R 39	169	R 49	179	R 59	177
		R 10	170	R 20	176	R 30	169	R 40	169	R 50	170	R 60	170

RESISTOR

SYMBOL NO.	INDEX NO.	SYMBOL NO.	INDEX NO.	SYMBOL NO.	INDEX NO.	SYMBOL NO.	INDEX NO.	SYMBOL NO.	INDEX NO.	SYMBOL NO.	INDEX NO.	SYMBOL NO.	INDEX NO.
R 61	169	R 71	169	R 81	170	R 91	169	R 101	169	---	--	R 121	170
R 62	169	R 72	170	---	--	R 92	170	R 102	174	R 112	169	R 122	169
R 63	170	R 73	170	---	--	R 93	170	R 103	174	R 113	169	R 123	174
R 64	174	R 74	170	R 84	162	R 94	169	R 104	174	R 114	169	R 124	174
R 65	174	R 75	169	R 85	162	R 95	176	R 105	169	R 115	169	R 125	174
R 66	170	R 76	170	R 86	162	R 96	176	R 106	172	---	--	R 126	174
R 67	169	R 77	162	R 87	162	R 97	170	R 107	174	R 117	162	R 127	168
---	--	R 78	162	R 88	170	R 98	169	R 108	169	R 118	174	R 128	172
R 69	170	R 79	174	R 89	169	R 99	170	R 109	170	R 119	169	R 129	169
---	--	R 80	167	R 90	170	R 100	169	R 110	170	R 120	169	R 130	169

22.ENGINE BOARD (G038)

RESISTOR

SYMBOL NO.	INDEX NO.	SYMBOL NO.	INDEX NO.	SYMBOL NO.	INDEX NO.	SYMBOL NO.	INDEX NO.	SYMBOL NO.	INDEX NO.	SYMBOL NO.	INDEX NO.	SYMBOL NO.	INDEX NO.
R 131	169	R 141	177	R 151	182	R 161	175	R 171	172	---	--	R 201	170
R 132	171	R 142	168	---	--	R 162	170	R 172	172	R 182	163	R 202	169
R 133	172	R 143	177	R 153	169	R 163	169	R 173	172	R 183	163	R 203	170
R 134	169	R 144	169	R 154	169	R 164	168	R 174	175	R 184	170	R 204	169
R 135	169	R 145	169	R 155	174	R 165	179	R 175	161	R 185	166	R 205	169
R 136	175	R 146	170	R 156	174	R 166	169	R 176	161	R 186	169	R 206	170
R 137	170	R 147	170	R 157	175	R 167	169	R 177	161	R 187	170	R 207	164
R 138	172	R 148	170	R 158	175	R 168	170	R 178	161	R 188	170	R 208	169
R 139	169	R 149	169	R 159	175	R 169	174	R 179	161	---	--	R 209	169
R 140	170	R 150	181	R 160	175	R 170	174	---	--	R 200	165	R 210	169

RESISTOR

SYMBOL NO.	INDEX NO.
R 211	169
---	--
R 213	169
R 214	169

RN

SYMBOL NO.	INDEX NO.
RN 1	153
RN 2	155
RN 3	153
RN 4	155
RN 5	155
RN 6	156
RN 7	156
RN 8	153
RN 9	156
RN 10	156

SYMBOL NO.	INDEX NO.
RN 11	156
RN 12	156
RN 13	156
RN 14	156
RN 15	156
RN 16	153
RN 17	156
RN 18	153
RN 19	156
RN 20	153

SYMBOL NO.	INDEX NO.
RN 21	156
RN 22	153
RN 23	154
RN 24	154
RN 25	154
RN 26	154
RN 27	153
RN 28	155
RN 29	153
RN 30	153

SYMBOL NO.	INDEX NO.
RN 31	156
RN 32	156
RN 33	155
RN 34	153
RN 35	155
RN 36	155
RN 37	153
RN 38	153
RN 39	155
RN 40	155

RN

SYMBOL NO.	INDEX NO.
RN 41	155
RN 42	155
RN 43	155
RN 44	155
RN 45	155
RN 46	155
RN 47	155
RN 48	153
RN 49	156
RN 50	156

SYMBOL NO.	INDEX NO.
RN 51	156
RN 52	156

ZD

SYMBOL NO.	INDEX NO.
ZD 1	132

22.ENGINE BOARD (G038)

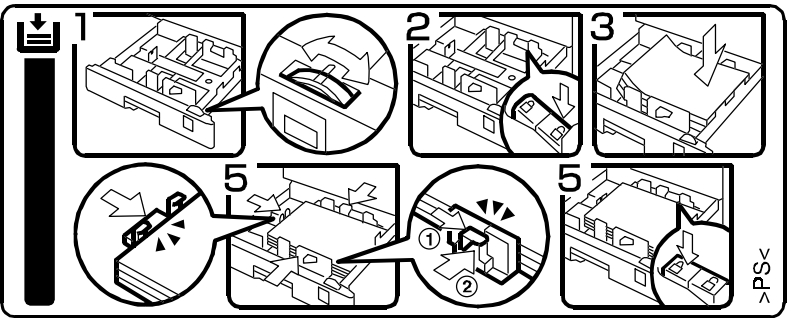
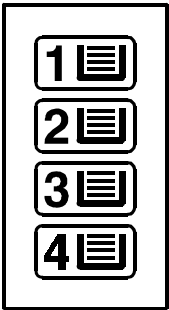
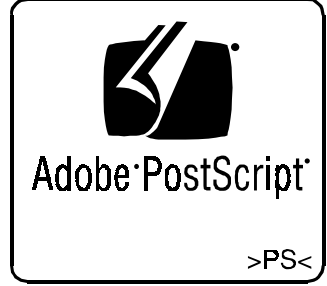

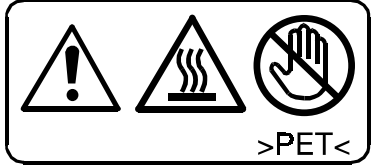
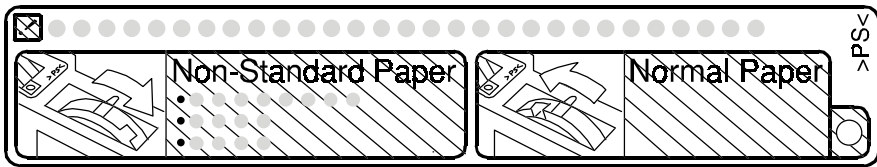
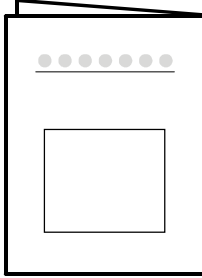
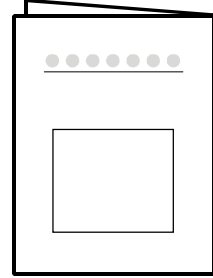
Index No.	Part No.	Description	Q'ty Per Assembly
*	G038 7611	PCB - Engine Board - USA	1
*	G038 7631	PCB - Engine Board - EUR	1
1	A232 5355	IC - GATEX	1
2	A250 5501	IC - G8 HG71C106FL	1

Index No.	Part No.	Description	Q'ty Per Assembly
101	1102 4201	Connector - 2P	
102	1102 4202	Connector - 3P	
103	1102 4203	CT Header - 4P	
104	1102 4204	CT Header - 5P	
105	1102 4206	Connector - 7P	
106	1102 4207	Connector - 8P	
107	1102 4209	CT Header - 10P	
108	1102 4210	Connector - 11P	
109	1102 4497	Connector - 13P	
110	1102 4627	Connector - 10P	
111	1102 4629	Connector - 12P	
112	1102 4651	Connector - 10P	
113	1102 5007	CT Header - 14P	
114	1102 5303	Connector - 4P	
115	1102 5304	Connector - 5P	
116	1102 5307	Connector - 2P	
117	1102 5894	Connector - 68P	
118	1102 6304	Connector - 11P	
119	1102 6305	Connector - 12P	
120	1102 6319	Connector - 12P	
121	1102 6403	Connector - 30P	
122	1102 7717	Connector - TX24-30R-12ST-H1	
123	1102 8084	Connector - DF11-32DP-2DSA(08)	
124	1104 0764	IC Socket-8pin	
125	1107 0727	Fuse - K19374/4A	
126	1109 0014	Transistor - RGE500	
127	1400 0448	Transistor - 2SC2712-GR	
128	1400 0700	Transistor - DTD133HK	
129	1400 0753	Transistor - DTC114VKA	
130	1401 0303	IC - TD62308AP	
131	1402 1336	Diode - 1SS355	
132	1402 1380	Diode - PTZ 6.2A	
133	1402 1491	Diode - RB471E	
134	1403 0894	LED Sml-010lt	
135	1403 0895	LED Sml-010mt	

Index No.	Part No.	Description	Q'ty Per Assembly
136	1407 1600	TTLIC - SN74LS244NS	
137	1407 1741	TTL - SN74LS32NS	
138	1407 2052	TTLIC - SN74LS74ANS	
139	1407 2080	IC - SN74LS21NS	
140	1407 2187	TTLIC - SN74LS07NS	
141	1407 2218	TTLIC - SN74LS06NS	
142	1407 2219	IC - TD62003AP	
143	1407 3357	Comparator - BA10393F	
144	1407 4678	Eeprom Br93lc56a	
145	1407 4754	IC - HD6413002F16	
146	1407 4827	IC - MBM29F400BC-70pFTN-SFK	
147	1408 0575	IC - M51957BFP	
148	1408 0595	IC - NJM2904M	
149	1408 1204	IC - TA8083P	
150	1503 0863	Oscillator - 14.7456mhz	
151	1503 0865	Oscillator - 9.8304MHZ	
152	1601 5237	Resistor - 220 Ω \pm 5%	
153	1601 7752	Resistor Array - 10K Ω \pm 5%	
154	1601 7760	Resistor Array	
155	1601 7791	Resistor Array - 1K Ω \pm 5%	
156	1601 7867	Resistor - 33 Ω \pm 5% 1/16W	
157	1605 0577	Capacitor - 0.33 μ F+80-20%	
158	1607 0939	Filter-nfm41p11c204	
159	1607 1106	IC - LC0805L473M	
160	1630 1101	Resistor - 100 Ω 1/4W \pm 5%	
161	1630 2391	Resistor - 390 Ω 1/8W	
162	1630 3101	Resistor - 100 Ω - 1/10W	
163	1630 3102	Resistor - 1K Ω 1/10W \pm 5%	
164	1630 3103	Resistor - 10K Ω 1/10W \pm 5%	
165	1630 3104	Resistor - 100K Ω 1/10W \pm 5%	
166	1630 3105	Resistor - 1M Ω \pm 5% 1/10W	
167	1630 3680	Resistor - 68 Ω \pm 5% 1/10W	
168	1630 4100	Resistor - 10 Ω \pm 5% 1/16W	
169	1630 4102	Resistor - 1.0K Ω \pm 5% 1/16W	

Index No.	Part No.	Description	Q'ty Per Assembly
170	1630 4103	Resistor - 10K Ω \pm 5% 1/16W	
171	1630 4104	Resistor - 100 Ω \pm 5% 1/16W	
172	1630 4222	Resistor - 2.2K Ω \pm 5%	
173	1630 4243	Resistor - 24K Ω \pm 5% 1/16W	
174	1630 4330	Resistor - 33 Ω \pm 5% 1/8W	
175	1630 4332	Resistor - 3.3K Ω \pm 5% 1/16W	
176	1630 4471	Resistor - 470 Ω \pm 5% 1/16W	
177	1630 4472	Resistor - 4.7K Ω \pm 5% 1/16W	
178	1633 2871	Resistor - 2.87K Ω \pm 1% 1/10W	
179	1633 5601	Resistor - 506K \pm 1% 1/10W	
180	1634 0000	Resistor - 0 Ω 1/16W	
181	1634 1002	Resistor - 10 Ω \pm 5% 1/16W	
182	1634 3921	Resistor - 3.92K Ω \pm 1% 1/1	
183	1640 5101	Capacitor - 100 μ F \pm 20% 50V	
184	1642 1101	Capacitor - 100 μ F \pm 20% 16V	
185	1643 1100	Capacitor - 10 μ F \pm 20% 16V	
186	1643 5100	Capacitor - 10 μ F \pm 20% 50V	
187	1660 0100	Capacitor - 10PF \pm 0.5pF 50V	
188	1660 2120	Capacitor - 12 pF \pm 5% 50V	
189	1660 3330	Capacitor - 33pF \pm 5% 50V	
190	1660 3471	Capacitor - 470pF 50V	
191	1660 5102	Capacitor - 1000pF \pm 10% 50V	
192	1660 6103	Capacitor - 10000pF - +80%-20%, 50V	
193	1660 7104	Capacitor - 100000pF 50V	
194	1660 8104	Capacitor - 0.1 μ F+80-20% 25V	
195	1902 0041	IC - 1M X8 70NS G10	

23.DECAL AND DOCUMENT (G038)

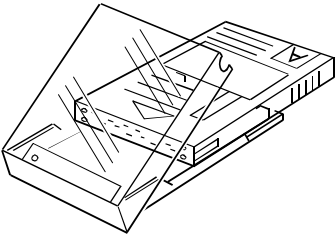
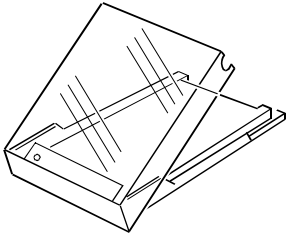
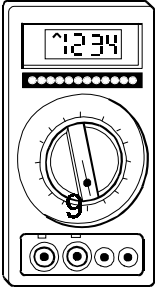
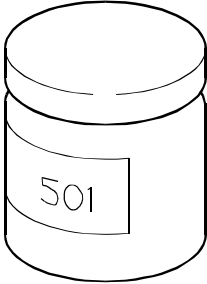
<p>1</p>  <p>>PS<</p>	<p>2</p> 	<p>3</p>  <p>Adobe PostScript</p> <p>>PS<</p>
<p>4</p>  <p>Energy</p> <p>>PS<</p>	<p>6</p>  <p>>PET<</p>	
<p>5</p>  <p>Non-Standard Paper</p> <p>Normal Paper</p> <p>>PS<</p>	<p>7</p> 	<p>8</p> 

23.DECAL AND DOCUMENT (G038)

Index No.	Part No.	Description	Q'ty Per Assembly
1	A267 2892	Decal - Paper Set Direction	1
2	A267 2893	Decal - Paper Tray	1
3	G035 1382	Decal - Postscript	1
4	AA00 1389	Large Decal - Energy Star	1
5	A267 7351	Decal - Special Paper	1
6	AA00 0300	Decal - High Temperature	1
7	G038 8607	Setup Guide - RIC	1
7	G038 8687	Setup Guide - Savin/GES	1
8	G038 8617	Printer Reference - RIC	1
8	G038 8697	Printer Reference - Savin/GES	1

Index No.	Part No.	Description	Q'ty Per Assembly

24.SPECIAL TOOLS (G038)

<p>1</p> 	<p>2</p> 	<p>3</p> 	<p>4</p> 
--	---	--	--

24.SPECIAL TOOLS (G038)

Index No.	Part No.	Description	Q'ty Per Assembly
1	A230 9352	Flash Memory Card - 4MB	1
2	A230 9351	Case - Flash Memory Card	1
3	A029 9387	Digital Multimeter - FLUKE87	1
4	5203 9501	Grease 501	1

Index No.	Part No.	Description	Q'ty Per Assembly

PARTS INDEX

PM Parts Index

Section Name	Part No.	Description in Service Manual	Description in Parts Catalog	Q'ty Per Assembly	Page and Index No
TRANSFER UNIT (G038)	G038 3830	Transfer/Separation Unit	Transfer/Separation Unit	1	13- 27
PAPER FEED SECTION 2 (G038)	A267 2751	Paper Feed Roller	Paper Feed Roller	1	17- 10
PAPER TRAY 2 (G038)	A267 2831	Friction Pad	Friction Pad	1	27- 22
FUSING UNIT 1 (G038)	AE01 1048	Hot Roller	Hot Roller	1	29- 14
	AE02 0086	Pressure Roller	Pressure Roller	1	29- 16
	AE04 4025	Hot Roller Stripper	Hot Roller Stripper	3	29- 5

Part No.	Description	Page and Index No.
G038 1076	Rear Guide Plate - Fusing Unit	43- 11
G038 1078	Right Front Frame	45- 8
G038 1079	Right Rear Frame	43- 12
G038 1235	Front Cover Ass'y	7- 15
G038 1268	Operation Instruction Sheet	7- 9
G038 1270	Right Rear Cover	9- 9
G038 1290	Rear Cover	9- 7
G038 1294	Rear Cover	9- 6
G038 1296	Rear Cap Cover - Large	9- 23
G038 1297	Rear Cap Cover - Small	9- 24
G038 1299	Rivet - 5	9- 25
G038 1303	Upper Paper Exit Cover	9- 8
G038 1304	Rear Paper Exit Cover	9- 5
G038 1320	Upper Right Front Cover	7- 2
G038 1345	Paper Exit Guide Cover	33- 1
G038 1348	Decal - Paper Exit	33- 2
G038 1378	Joint Cap	9- 4
G038 2580	Protect Base Bracket	15- 19
G038 2586	Positioning Pin Cover - Left	35- 36
G038 2587	Left Holder - Positioning Pin	35- 35
G038 2595	Separation Plate - Heater	15- 8
G038 3830	Transfer/Separation Unit	13- 27
G038 3890	Separation Unit	13- 14
G038 4141	Bracket - Fusing Connector	29- 21
G038 5201	Motor Harness	41- 8
G038 5203	Sensor Harness - New Article	39- 11
G038 5205	Toner Bottle Harness	21- 13
G038 5205	Toner Bottle Harness	41- 11
G038 5209	Safety Switch Harness	41- 10
G038 5209	Safety Switch Harness	45- 11
G038 5211	Paper Size Sensor Harness	41- 4
G038 5212	Paper Feed Harness - 1	41- 7
G038 5213	Paper Feed Harness - 2	41- 3
G038 5215	Paper Feed Harness - Motor	41- 6
G038 5216	Process Control Harness	41- 5

Part No.	Description	Page and Index No.
G038 5223	P.P/R-P Harness	43- 14
G038 5223	P.P/R-P Harness	41- 28
G038 5224	High Voltage Harness - B	43- 2
G038 5225	Power Supply Unit Harness (120V)	41- 24
G038 5233	Joint Unit Harness	41- 26
G038 5236	Manual Feed Unit Harness	37- 4
G038 5237	Bank Connectiong Harness	35- 39
G038 5241	LDD Harness	41- 9
G038 5243	Mirror Motor Harness - Polygon	41- 12
G038 5300	IC - ASIC Rocky-R	49- 1
G038 5352	IC - FONT 8MBIT	49- 2
G038 5364	Printer Controller Board	49- *
G038 5364	Printer Controller Board	41- 17
G038 5811	Shield Plate - Controller Board	41- 18
G038 5813	Connector Cover - Control Board	41- 16
G038 5815	Harness Bracket	41- 27
G038 5816	Gate Pawl Bracket	43- 4
G038 5817	Power Supply Cord Bracket (120V)	41- 23
G038 5819	Power Pack Bracket	43- 7
G038 5823	Connector Bracket - Joint Unit	41- 1
G038 5825	Stand	33- 7
G038 5826	Cover - IC Card	41- 14
G038 5827	Spring Plate	41- 29
G038 7051	Front Door Ass'y - RIC (EUR)	7- 7
G038 7152	Operation Panel Ass'y (NA)	7- 10
G038 7172	Operation Panel Ass'y (EUR)	7- 10
G038 7273	Fusing Drawer Ass'y (120V)	29- 7
G038 7295	Front Door Ass'y - NRG	7- 7
G038 7296	Front Door Ass'y - Savin/GES	7- 7
G038 7523	Fusing Drawer Ass'y (230V)	29- 7
G038 7551	PCB Bank Bracket	35- 1
G038 7556	Fusing Harness -115V	43- 10
G038 7557	Power Cord Stopper - 115V	41- 25
G038 7560	PCB Bank	35- 2
G038 7561	PSU Joint Harness	41- 2

Part No.	Description	Page and Index No.
G038 7562	PSU Guide Bracket	41- 22
G038 7580	Bracket - Power Inlet (230V)	41- 25
G038 7582	PSU Harness - EUR	41- 24
G038 7586	Fusing Harness - EUR	43- 10
G038 7611	PCB - Engine Board - USA	41- 13
G038 7611	PCB - Engine Board - USA	53- *
G038 7631	PCB - Engine Board - EUR	41- 13
G038 7631	PCB - Engine Board - EUR	53- *
G038 8607	Setup Guide - RIC	55- 7
G038 8617	Printer Reference - RIC	55- 8
G038 8687	Setup Guide - Savin/GES	55- 7
G038 8697	Printer Reference - Savin/GES	55- 8

Part No.	Description	Page and Index No
AA00 0300	Decal - High Temperature	29- 20
AA00 0300	Decal - High Temperature	55- 6
AA00 0301	Decal - Warning (High Temperatre)	29- 9
AA00 1389	Large Decal - Energy Star	55- 4
AA00 1389	Large Decal - Energy Star	7- 14
AA04 3514	Timing Belt - S3M - 420	37- 9
AA04 3515	Timing Belt - S3M - 225	37- 16
AA04 3516	Timing Belt - S3M - 342	37- 7
AA04 3517	Timing Belt - S3M - 315	39- 14
AA06 0792	Tension Spring	37- 14
AA06 0792	Tension Spring	39- 13
AA06 3334	Spring - Vertical Transport	15- 18
AA06 3334	Spring - Vertical Transport	9- 16
AA06 3335	Pressure Spring	13- 5
AA06 3570	Tension Spring	31- 11
AA06 3598	Pressure Spring	13- 15
AA06 3599	Pressure Spring	13- 4
AA06 3607	Pressure Spring	13- 18
AA08 0249	Bushing - Vertical Transport	9- 15
AA08 0249	Bushing - Vertical Transport	15- 17
AA08 0252	Bushing - M4	19- 4
AA08 0252	Bushing - M4	17- 25
AA08 0255	Transfer Roller Bushing	13- 17
AA08 2070	Bushing - 8x16x7	35- 24
AA08 2073	Roller Busing	31- 10
AA12 0094	Antistatic Brush	33- 13
AA13 2208	Spacer - M6	35- 15
AA14 3219	Stepped Screw	29- 2
AA14 3301	Stepped Screw - M3x4	43- 9
AA15 0708	Front Discharge Sheet	13- 23
AA15 0709	Rear Discharge Sheet	13- 24
AA16 1143	Cushion - Link	17- 26
AA16 1143	Cushion - Link	19- 21
AA16 1143	Cushion - Link	23- 3
AB01 0349	Transfer Roller Gear	13- 11

Part No.	Description	Page and Index No.
AB01 1199	Gear - 31Z/54Z	39- 4
AB01 1200	Gear - 38Z	39- 8
AB01 1203	Gear - 30Z	37- 21
AB01 1204	Gear - 27Z	37- 19
AB01 1400	Gear - 48Z	29- 12
AB01 1404	Gear - 19Z	33- 8
AB01 4050	Gear - 44Z	37- 6
AB01 7503	Gear - 35Z/28Z	37- 17
AB01 7504	Gear - 24Z	37- 8
AB03 0626	Timing Pulley - 20T	39- 5
AB03 0627	Timing Pulley - 18T	39- 16
AB03 3091	Timing Pulley - 31T/36T	37- 10
AB03 3092	Timing Pulley - 27T/48T	37- 15
AC01 0005	Mirror	11- 7
AC03 0077	Shield Glass	11- 11
AE01 1048	Hot Roller	29- 14
AE02 0086	Pressure Roller	29- 16
AE03 0029	Ball Bearing - 30x42x7	29- 13
AE03 0030	Ball Bearing - 8x19x6	29- 15
AE04 2029	Fusing Cleaning Roller	31- 12
AE04 4025	Hot Roller Stripper	29- 5
AF02 0472	Transport Roller	19- 3
AF02 0473	Registration Roller	23- 11
AF02 0475	Exit Roller	33- 14
AF02 0500	Driven Roller	17- 24
AF02 1064	Registration Driven Roller	13- 8
AF02 2112	Driven Roller	33- 6
AF02 2118	Pull Out Roller - Option Tray	15- 16
AF04 0566	Tension Roller	33- 19
AF04 0567	Tension Roller	33- 22
AG07 0014	Magnet Catch	15- 21
AG07 0014	Magnet Catch	33- 3
AG07 1011	Magnet Catch	7- 4
AH01 0009	Rubber Pad - H5	15- 2
AW01 0057	Registration Sensor	23- 8

Part No.	Description	Page and Index No.
AW02 0075	Photointerruptor	19- 13
AW02 0075	Photointerruptor	17- 7
AW02 0075	Photointerruptor	35- 22
AW02 0086	Photointerruptor	33- 12
AW02 0111	Photointerruptor	19- 1
AW02 0111	Photointerruptor	17- 17
AW10 0050	Thermistor	31- 18
AW50 0022	Push Switch	19- 7
AX04 0119	DC Motor - 1.92w	35- 13
AX05 0140	Toner Bottle Motor - DC 2.6W	21- 11
AX06 0181	Polygon Mirror Motor	11- 13
AX06 0199	Main Motor - DC 28W	43- 1
AX20 0165	Magnetic Clutch	37- 3
AX20 0166	Magnetic Clutch	39- 3
AX20 0167	Magnetic Clutch	39- 2
AX44 0118	Fusing Lamp - 120V 770W	29- 8
AX44 0119	Fusing Lamp - 230V 770W	29- 8
G020 1332	Hinge - Front Cover	7- 5
G020 1391	Screw - M3x4.5	41- 15
G020 1391	Screw - M3x4.5	7- 3
G020 1391	Screw - M3x4.5	9- 3
G020 1911	Sync Detector Mirror	11- 25
G020 1937	Shield Glass - Polygon Mirror Motor	11- 22
G020 1966	Cylindrical Lens	11- 19
G020 1968	F Theta Mirror	11- 26
G020 1969	BTL Lens	11- 9
G020 2620	Push Switch - Paper Size	19- 8
G020 2620	Push Switch - Paper Size	17- 2
G020 3334	Slider Ass'y	21- 8
G020 3855	Spacer Roller - Transfer	13- 12
G020 5626	Push Switch	15- 13
G020 5626	Push Switch	39- 10
G020 5626	Push Switch	33- 10
G020 5829	Shoulder Screw - M3x2.5	37- 12
G020 5871	Spacer - KGLS-12RF	43- 6

Part No.	Description	Page and Index No.
G029 1975	Cylindrical Lens	11- 21
G029 1980	Decal - LD	11- 4
G029 2608	Base Pad	27- 10
G029 2608	Base Pad	25- 10
G029 4153	Decal - High Temperature	31- 19
G035 1382	Decal - Postscript	55- 3
G038 1076	Rear Guide Plate - Fusing Unit	43- 11
G038 1078	Right Front Frame	45- 8
G038 1079	Right Rear Frame	43- 12
G038 1235	Front Cover Ass'y	7- 15
G038 1268	Operation Instruction Sheet	7- 9
G038 1270	Right Rear Cover	9- 9
G038 1290	Rear Cover	9- 7
G038 1294	Rear Cover	9- 6
G038 1296	Rear Cap Cover - Large	9- 23
G038 1297	Rear Cap Cover - Small	9- 24
G038 1299	Rivet - 5	9- 25
G038 1303	Upper Paper Exit Cover	9- 8
G038 1304	Rear Paper Exit Cover	9- 5
G038 1320	Upper Right Front Cover	7- 2
G038 1345	Paper Exit Guide Cover	33- 1
G038 1348	Decal - Paper Exit	33- 2
G038 1378	Joint Cap	9- 4
G038 2580	Protect Base Bracket	15- 19
G038 2586	Positioning Pin Cover - Left	35- 36
G038 2587	Left Holder - Positioning Pin	35- 35
G038 2595	Separation Plate - Heater	15- 8
G038 3830	Transfer/Separation Unit	13- 27
G038 3890	Separation Unit	13- 14
G038 4141	Bracket - Fusing Connector	29- 21
G038 5201	Motor Harness	41- 8
G038 5203	Sensor Harness - New Article	39- 11
G038 5205	Toner Bottle Harness	41- 11
G038 5205	Toner Bottle Harness	21- 13
G038 5209	Safety Switch Harness	41- 10

Part No.	Description	Page and Index No.
G038 5209	Safety Switch Harness	45- 11
G038 5211	Paper Size Sensor Harness	41- 4
G038 5212	Paper Feed Harness - 1	41- 7
G038 5213	Paper Feed Harness - 2	41- 3
G038 5215	Paper Feed Harness - Motor	41- 6
G038 5216	Process Control Harness	41- 5
G038 5223	P.P/R-P Harness	43- 14
G038 5223	P.P/R-P Harness	41- 28
G038 5224	High Voltage Harness - B	43- 2
G038 5225	Power Supply Unit Harness (120V)	41- 24
G038 5233	Joint Unit Harness	41- 26
G038 5236	Manual Feed Unit Harness	37- 4
G038 5237	Bank Connecting Harness	35- 39
G038 5241	LDD Harness	41- 9
G038 5243	Mirror Motor Harness - Polygon	41- 12
G038 5300	IC - ASIC Rocky-R	49- 1
G038 5352	IC - FONT 8MBIT	49- 2
G038 5364	Printer Controller Board	41- 17
G038 5364	Printer Controller Board	49- *
G038 5811	Shield Plate - Controller Board	41- 18
G038 5813	Connector Cover - Control Board	41- 16
G038 5815	Harness Bracket	41- 27
G038 5816	Gate Pawl Bracket	43- 4
G038 5817	Power Supply Cord Bracket (120V)	41- 23
G038 5819	Power Pack Bracket	43- 7
G038 5823	Connector Bracket - Joint Unit	41- 1
G038 5825	Stand	33- 7
G038 5826	Cover - IC Card	41- 14
G038 5827	Spring Plate	41- 29
G038 7051	Front Door Ass'y - RIC (EUR)	7- 7
G038 7152	Operation Panel Ass'y (NA)	7- 10
G038 7172	Operation Panel Ass'y (EUR)	7- 10
G038 7273	Fusing Drawer Ass'y (120V)	29- 7
G038 7295	Front Door Ass'y - NRG	7- 7
G038 7296	Front Door Ass'y - Savin/GES	7- 7

Part No.	Description	Page and Index No.
G038 7523	Fusing Drawer Ass'y (230V)	29- 7
G038 7551	PCB Bank Bracket	35- 1
G038 7556	Fusing Harness -115V	43- 10
G038 7557	Power Cord Stopper - 115V	41- 25
G038 7560	PCB Bank	35- 2
G038 7561	PSU Joint Harness	41- 2
G038 7562	PSU Guide Bracket	41- 22
G038 7580	Bracket - Power Inlet (230V)	41- 25
G038 7582	PSU Harness - EUR	41- 24
G038 7586	Fusing Harness - EUR	43- 10
G038 7611	PCB - Engine Board - USA	41- 13
G038 7611	PCB - Engine Board - USA	53- *
G038 7631	PCB - Engine Board - EUR	53- *
G038 7631	PCB - Engine Board - EUR	41- 13
G038 8607	Setup Guide - RIC	55- 7
G038 8617	Printer Reference - RIC	55- 8
G038 8687	Setup Guide - Savin/GES	55- 7
G038 8697	Printer Reference - Savin/GES	55- 8
G697 1082	Tray Holder	35- 5
G697 2677	Spring Plate - Side Fence	27- 5
G697 2677	Spring Plate - Side Fence	25- 5
H521 3355	C Ring - Paper Feed Roller	23- 5
H521 3355	C Ring - Paper Feed Roller	17- 18
H521 3356	Bushing - Paper Feed Roller	23- 7
H521 3356	Bushing - Paper Feed Roller	19- 22
H521 3356	Bushing - Paper Feed Roller	17- 22
N607 4525	Coil - RITL-9704	41- 30

Part No.	Description	Page and Index No.
A029 9387	Digital Multimeter - FLUKE87	57- 3
A134 1383	Emblem (RIC)	7- 6
A184 3411	Chuck Spring	21- 7
A184 3420	Bottle Chuck	21- 9
A184 3421	Chuck Shaft	21- 4
A184 3422	Toner Slider	21- 5
A230 9351	Case - Flash Memory Card	57- 2
A230 9352	Flash Memory Card - 4MB	57- 1
A232 1916	Collar - Polygon Motor	11- 14
A232 1921	Front Holder - F Theta Mirror	11- 23
A232 1922	Rear Holder - F Theta Mirror	11- 15
A232 1927	Cylindrical Lens Holder	11- 20
A232 1971	Support Cover - Imaging Unit	11- 1
A232 2374	Spur	31- 15
A232 2987	Roller - Paper Tray	27- 12
A232 2987	Roller - Paper Tray	25- 12
A232 3962	Spring Plate - Band Stopper	13- 21
A232 5310	Laser Sync. Detector	11- 16
A232 5355	IC - GATEX	53- 1
A250 5501	IC - G8 HG71C106FL	53- 2
A250 5720	Power Supply Unit (120V)	41- 21
A250 5722	Power Supply Unit (230V)	41- 21
A267 1051	PCU Guide Plate	23- 15
A267 1054	Guide Plate - Toner Supply Unit	21- 1
A267 1088	Hinge - Front Cover	45- 9
A267 1102	Duct - Fam Motor	45- 7
A267 1105	Exhaust Fan Motor - DC 2.88W	45- 6
A267 1115	Tension Bracket	37- 13
A267 1159	Bracket - Fusing Drive	37- 22
A267 1162	Cover - Fusing Drive	37- 18
A267 1170	Drive Gear - 36Z	37- 20
A267 1183	Bracket - Paper Feed Drive	37- 2
A267 1184	Fly Wheel	43- 3
A267 1264	Magnet Catch - Front Cover	7- 8
A267 1281	Left Cover	9- 2

Part No.	Description	Page and Index No.
A267 1321	Inner Cover	7- 1
A267 1340	Upper Rear Cover - Scanner Unit	7- 11
A267 1343	Sub Paper Tray	7- 13
A267 1345	Paper Exit Cover	9- 1
A267 1348	Paper Support Cover	7- 12
A267 1370	Cap - Duplex	9- 10
A267 1915	LD Unit	11- 18
A267 1917	Cover - Polygon Motor	11- 2
A267 1930	Positioning Bracket - Laser Unit	45- 10
A267 1933	Mirror Holder - Sync.Detector	11- 24
A267 1938	Cover - Laser Unit	11- 5
A267 1940	Front Holder - BTL	11- 10
A267 1941	Rear Holder - BTL	11- 8
A267 1942	Mirror Holder	11- 6
A267 1944	Plate - Sync.Detector Board	11- 3
A267 2564	Front Grip Plate	15- 5
A267 2567	Rear Grip Plate	15- 6
A267 2573	Right Bracket - Grip Plate	15- 9
A267 2576	Left Bracket - Grip Plate	15- 7
A267 2577	Roller Guide Bracket 2	17- 19
A267 2587	Guide Plate	17- 27
A267 2588	Shoe - Right Rail	15- 3
A267 2589	Shoe - Supporter	15- 4
A267 2592	Right Cover Pin	35- 31
A267 2593	Left Cover Pin	35- 3
A267 2595	Spring Guard - Paper Feed	35- 34
A267 2596	Right Drive Guard	39- 1
A267 2601	Positioning Guide - Bypass Feed	39- 9
A267 2602	Tensioner	39- 15
A267 2604	Stopper - Feed Clutch	39- 7
A267 2605	Support Bracket - Transport Clutch	39- 6
A267 2660	Bracket - Photointerruptor	19- 2
A267 2663	Bracket - Photointerruptor	17- 16
A267 2665	Upper Roller Guide	23- 10
A267 2665	Upper Roller Guide	17- 21

Part No.	Description	Page and Index No.
A267 2666	Bushing - Roller Guide	17- 13
A267 2674	Bushing - Registration Roller	23- 6
A267 2677	Roller Clutch Bracket	15- 23
A267 2680	Spring Plate - Roller Clutch	15- 22
A267 2681	Roller Clutch - Vertical Transport	17- 20
A267 2685	Bushing - Driven Roller	13- 6
A267 2691	Left Guide Plate - Regist Roller	23- 17
A267 2695	Grounding Plate - Regist Roller	23- 1
A267 2698	Bracket - Registration Sensor	23- 9
A267 2700	Registration Roller Cleaner	23- 14
A267 2705	Middle Right Cover	9- 19
A267 2708	Cap - Bypass Feed	9- 21
A267 2709	Guide Mylar	9- 18
A267 2710	Stay - Cap	9- 20
A267 2711	Right Guide Plate - Regist Roller	13- 10
A267 2712	Cleaner - Regist Driven Roller	13- 7
A267 2713	Hexagonal Set Screw - M3X8	9- 22
A267 2715	Driven Roller - Vertical Transport	9- 17
A267 2716	Right Front Lower Cover	9- 12
A267 2717	Right Rear Lower Cover	9- 11
A267 2721	Upper Entrance Guide Plate	23- 4
A267 2722	Sub Guide Plate - Upper Entrance	23- 2
A267 2724	Lower Paper Guide Plate	15- 1
A267 2727	Middle Right Cover	9- 13
A267 2728	Cover - Vertical Transport	15- 20
A267 2732	Lower Guide - Vertical Transport	15- 12
A267 2733	Upper Guide - Vertical Transport	15- 11
A267 2736	Vertical Transport Guide	15- 10
A267 2740	Stopper Band	15- 14
A267 2751	Paper Feed Roller	19- 17
A267 2751	Paper Feed Roller	17- 10
A267 2754	Shaft - Paper Feed Roller	17- 15
A267 2754	Shaft - Paper Feed Roller	19- 20
A267 2765	Stopper - Pressure Lever	35- 26
A267 2766	Tension Spring - Stopper	35- 25

Part No.	Description	Page and Index No.
A267 2767	Torsion Spring - Joint	35- 30
A267 2770	Vibrating Plate	35- 27
A267 2771	Tension Spring - Main	35- 32
A267 2772	Tension Spring - Sub	35- 18
A267 2773	Bracket - Rising 2	35- 33
A267 2776	Lever - DC Motor	35- 7
A267 2777	Actuator - Paper Height Sensor	35- 29
A267 2780	Tray Lift Assembly	35- 23
A267 2781	Bracket - Pressure Lever	35- 19
A267 2785	Lock Lever Shaft - Feed Roller	19- 11
A267 2785	Lock Lever Shaft - Feed Roller	17- 5
A267 2786	Lock Lever - Feed Roller	19- 9
A267 2786	Lock Lever - Feed Roller	17- 3
A267 2787	Tension Spring - Lock Lever	19- 10
A267 2787	Tension Spring - Lock Lever	17- 4
A267 2788	Torsion Spring - Lock Lever	19- 15
A267 2788	Torsion Spring - Lock Lever	17- 12
A267 2794	Sub Pressure Lever	35- 17
A267 2800	Guide Plate - Paper Feed Roller	19- 19
A267 2800	Guide Plate - Paper Feed Roller	17- 14
A267 2803	Feeler - Paper End Sensor	19- 16
A267 2803	Feeler - Paper End Sensor	17- 9
A267 2805	Bracker - Paper End Sensor	17- 6
A267 2805	Bracker - Paper End Sensor	19- 12
A267 2813	Cushion - Guide Plate	17- 28
A267 2815	Bracket - Uppe Paper Lift	35- 28
A267 2828	Guide Plate - Pressure Release	17- 23
A267 2831	Friction Pad	25- 22
A267 2831	Friction Pad	27- 22
A267 2834	Pressure Spring - Friction Pad	25- 23
A267 2834	Pressure Spring - Friction Pad	27- 23
A267 2836	Pin - M6	35- 37
A267 2837	Upper Bracket - Paper Lift Motor	35- 21
A267 2838	Lower Bracket - Paper Lift Motor	35- 12
A267 2839	Harness Cover - Paper Feed	35- 20

Part No.	Description	Page and Index No
A267 2840	Shaft - DC Motor	35- 14
A267 2842	Guide Plate - Pressure Release	19- 5
A267 2844	Compression Spring - Return	35- 10
A267 2845	Bushing - DC Motor Shaft	35- 11
A267 2846	Holder - Spring	35- 9
A267 2847	Bushing - Motor Shaft	19- 18
A267 2847	Bushing - Motor Shaft	17- 11
A267 2847	Bushing - Motor Shaft	35- 6
A267 2848	Holder - Pressure Spring	35- 8
A267 2849	Shutter - Photointerruptor	35- 16
A267 2850	Paper Tray	27- 2
A267 2850	Paper Tray	25- 2
A267 2851	Front Side Fence	25- 3
A267 2851	Front Side Fence	27- 3
A267 2852	Rear Side Fence	25- 17
A267 2852	Rear Side Fence	27- 17
A267 2853	End Fence	25- 7
A267 2853	End Fence	27- 7
A267 2854	Shaft - Tray Raising	27- 21
A267 2854	Shaft - Tray Raising	25- 21
A267 2856	Bracket - Rising	27- 18
A267 2856	Bracket - Rising	25- 18
A267 2857	Spring Plate - Side Fence	27- 16
A267 2857	Spring Plate - Side Fence	25- 16
A267 2858	Front Stopper Lever	27- 4
A267 2858	Front Stopper Lever	25- 4
A267 2859	Side Fence Stopper	27- 15
A267 2859	Side Fence Stopper	25- 15
A267 2860	Rear Lever Stopper	27- 14
A267 2860	Rear Lever Stopper	25- 14
A267 2861	Bottom Plate	25- 9
A267 2861	Bottom Plate	27- 9
A267 2864	Roller Bracket	27- 20
A267 2864	Roller Bracket	25- 20
A267 2865	Shaft - Roller	27- 19

Part No.	Description	Page and Index No.
A267 2865	Shaft - Roller	25- 19
A267 2866	Upper Slider	25- 8
A267 2866	Upper Slider	27- 8
A267 2868	Spring Plate	25- 24
A267 2868	Spring Plate	27- 24
A267 2869	Gear - 16Z	27- 11
A267 2869	Gear - 16Z	25- 11
A267 2873	Bracket - Paper Size Sensor	17- 1
A267 2874	Base Slider	25- 6
A267 2874	Base Slider	27- 6
A267 2875	Spring Plate - Slider	27- 32
A267 2875	Spring Plate - Slider	25- 30
A267 2878	Spring Plate - Grounding	25- 13
A267 2878	Spring Plate - Grounding	27- 13
A267 2881	Dial - Special Paper	27- 29
A267 2882	Sensor Bracket - Special Paper	19- 6
A267 2884	Front Side Fence	27- 31
A267 2884	Front Side Fence	25- 29
A267 2885	Rear Side Fence	25- 32
A267 2885	Rear Side Fence	27- 35
A267 2892	Decal - Paper Set Direction	55- 1
A267 2892	Decal - Paper Set Direction	25- 26
A267 2892	Decal - Paper Set Direction	27- 26
A267 2893	Decal - Paper Tray	55- 2
A267 2897	Shield - Side Fence	25- 27
A267 2897	Shield - Side Fence	27- 27
A267 2898	Sheet - Paper Tray Holder	25- 28
A267 2898	Sheet - Paper Tray Holder	27- 28
A267 2899	Sponge - Paper Feed Tray	27- 1
A267 2899	Sponge - Paper Feed Tray	25- 1
A267 2900	Seal - End Fence	25- 31
A267 2900	Seal - End Fence	27- 33
A267 2908	Bracket - Paper Tray Holder	35- 4
A267 2916	Bracket - Heater Harness	35- 38
A267 3452	Quenching Lamp	23- 13

Part No.	Description	Page and Index No.
A267 3461	Receptacle - Change Roller	43- 5
A267 3500	Toner Supply Unit Ass'y (RIC 120V)	21- 2
A267 3550	Case - Toner Supply Ass'y	21- 6
A267 3560	Cover - Toner Supply Unit (RIC)	21- 10
A267 3605	Cam - Handle	21- 3
A267 3855	Cover - Transfer Unit	13- 26
A267 3857	Right Cover	13- 1
A267 3861	Terminal - Transfer Roller	13- 19
A267 3862	Terminal - Separation	13- 20
A267 3871	Lever - Transfer/Separation Unit	13- 16
A267 3882	Transfer Roller	13- 13
A267 3901	ID Sensor	13- 2
A267 3905	Cover - ID Sensor	13- 25
A267 3921	Grounding Terminal	13- 9
A267 3931	Shutter Lever	13- 3
A267 3941	Band - Vertical Transport Cover	13- 22
A267 3950	Receptacle - Transfer/Sprtion Unit	43- 13
A267 3958	Roller - Lever	33- 4
A267 4056	C Ring - Hot Roller	29- 11
A267 4066	Spring - Hot Roller	29- 17
A267 4072	Lower Frame - Fusing Unit	31- 20
A267 4075	Shielding Plate - Harness	29- 19
A267 4076	Spacer - Safety Switch	31- 16
A267 4081	Tension Spring - Pressure Lever	31- 8
A267 4082	Pressure Lever	31- 9
A267 4083	Sub Pressure Lever	31- 7
A267 4085	Fusing Entrance Guide	31- 17
A267 4091	Terminal Plate - Thermofuse	31- 14
A267 4092	Terminal Plate - Fusing Lamp	29- 10
A267 4101	Bracket - Fushing Stripper	29- 6
A267 4103	Spring - Fusing Stripper	29- 4
A267 4111	Shaft - Fusing Pressure	31- 4
A267 4112	Grip - Fusing Pressure	31- 1
A267 4113	Front Lever - Pressure Roller	31- 2
A267 4114	Tension Spring - Pressure Roller	29- 3

Part No.	Description	Page and Index No.
A267 4115	Rear Lever - Pressure Roller	31- 5
A267 4121	Front Side Plate - Fusing Unit	31- 3
A267 4125	Rear Side Plate - Fusing Unit	31- 6
A267 4133	Termofuse	31- 13
A267 4151	Upper Frame - Fusing Unit	29- 1
A267 4161	Knob Screw	29- 18
A267 4452	Stay - Paper Exit	33- 5
A267 4454	Guide Plate - Paper Exit	33- 23
A267 4474	Spring Plate - Tension Roller	33- 17
A267 4476	Feeler - Paper Feed Sensor	33- 9
A267 4478	Feeler - Paper Overflow	33- 15
A267 4479	Shaft - Paper Overflow	33- 16
A267 4483	Spring Plate - Tension Roller	33- 20
A267 4486	Stopper	33- 18
A267 4487	Outer Stopper	33- 21
A267 5156	PCU Detector Board	37- 11
A267 5207	Relay Harness - Paper Exit Section	33- 11
A267 5215	Relay Harness - Paper End Sensor	17- 8
A267 5215	Relay Harness - Paper End Sensor	19- 14
A267 5222	Harness - Sync.Detector	11- 17
A267 5224	Harness - Polygon Mirror Motor	11- 12
A267 5229	Harness - AC Switch	41- 20
A267 5236	Relay Harness - ID Sensor	39- 12
A267 5237	Relay Harness - Registration Sensor	23- 16
A267 5730	Power Pack - BCTD	43- 8
A267 5812	Bracket - Door Switch	45- 3
A267 5813	Bracket - Micro Switch	45- 4
A267 5815	Lever - Door Switch	45- 1
A267 5820	Compression Spring	45- 2
A267 5821	Tension Spring - Door Switch	45- 5
A267 5822	Main Switch Ass'y	41- 19
A267 5824	Bracket - Harness	37- 1
A267 5826	Connector Bracket - Bypass Feed	37- 5
A267 7343	Paper Size Detector - 1	25- 25
A267 7344	Paper Size Detector - 2	27- 25

Part No.	Description	Page and Index No
A267 7351	Decal - Special Paper	55- 5
A267 7351	Decal - Special Paper	27- 30
A267 7352	Decal - Side Fence	27- 34
A267 7440	Bracket - Toner Supply Motor	21- 12
A267 7470	Toner Supply Unit (SVN)	21- 2
A267 7480	Toner Supply Unit Cover (OEM)	21- 10
A548 6121	Screw - M4	9- 14

Part No.	Description	Page and Index No.
5203 9501	Grease 501	57- 4
5206 2686	Snap Ring	15- 15
5214 4975	Decal - High Voltage	13- 28
5215 2621	Snap Ring - M6	23- 12

Part No.	Description	Page and Index No.
0313 0350B	Philips Pan Head Screw - M3x35	45-103
0314 0300B	Philips Pan Head Screw - M4x30	45-105
0353 0100Z	Bind Screw - M3x10	41-104
0450 3008B	Tapping Screw - M3x8	31-102
0450 3008B	Tapping Screw - M3x8	7-102
0450 3008B	Tapping Screw - M3x8	13-101
0450 3010B	Tapping Screw - M3x10	29-103
0450 3010B	Tapping Screw - M3x10	31-104
0450 4008B	Tapping Screw - 4x8	27-101
0450 4008B	Tapping Screw - 4x8	25-101
0451 3006B	Tapping Screw - M3x6	21-101
0451 3006B	Tapping Screw - M3x6	31-103
0451 3006B	Tapping Screw - M3x6	23-101
0451 3006B	Tapping Screw - M3x6	29-101
0451 3006B	Tapping Screw - M3x6	19-101
0451 3006B	Tapping Screw - M3x6	43-101
0451 3006B	Tapping Screw - M3x6	33-102
0451 3006B	Tapping Screw - M3x6	35-101
0451 3006B	Tapping Screw - M3x6	39-101
0451 3006B	Tapping Screw - M3x6	37-101
0451 3006B	Tapping Screw - M3x6	17-101
0451 3006B	Tapping Screw - M3x6	15-101
0451 3006B	Tapping Screw - M3x6	13-102
0451 3006B	Tapping Screw - M3x6	41-101
0451 3008B	Tapping Screw - M3x8	7-103
0451 3008B	Tapping Screw - M3x8	35-105
0451 3008B	Tapping Screw - M3x8	11-104
0451 3008B	Tapping Screw - M3x8	29-106
0451 3008H	Tapping Screw - 3x8	9-101
0451 3008H	Tapping Screw - 3x8	37-107
0451 3008H	Tapping Screw - 3x8	7-101
0451 3008H	Tapping Screw - 3x8	41-103
0451 3008H	Tapping Screw - 3x8	43-104
0451 3008H	Tapping Screw - 3x8	35-103
0451 3030B	Tapping Screw - 3x30	35-108

Part No.	Description	Page and Index No.
0451 3030B	Tapping Screw - 3x30	17-102
0451 4006B	Tapping Screw - 4x6	27-102
0451 4008B	Philips Tapping Screw - M4x8	15-105
0452 3008B	Tapping Screw - M3x8	21-102
0452 3008B	Tapping Screw - M3x8	23-102
0452 3008B	Tapping Screw - M3x8	11-103
0452 3010B	Tapping Bind Screw - M3x10	11-101
0453 4006B	Tapping Screw - 4x6	25-102
0720 0030E	Retaining Ring - M3	27-103
0720 0030E	Retaining Ring - M3	25-103
0720 0030E	Retaining Ring - M3	29-105
0720 0030E	Retaining Ring - M3	15-102
0720 0040E	Retaining Ring - M4	9-102
0720 0040E	Retaining Ring - M4	35-102
0720 0040E	Retaining Ring - M4	33-104
0720 0040E	Retaining Ring - M4	37-108
0720 0040E	Retaining Ring - M4	19-103
0720 0040E	Retaining Ring - M4	17-103
0720 0060E	Retaining Ring - M6	35-110
0720 0060E	Retaining Ring - M6	25-104
0720 0060E	Retaining Ring - M6	37-104
0720 0060E	Retaining Ring - M6	29-104
0720 0060E	Retaining Ring - M6	39-102
0720 0060E	Retaining Ring - M6	27-104
0801 0149	Philips Pan Head Screw - M4x6	41-107
0801 0150	Philips Screw - M4x8	35-107
0802 5276	Tapping Screw With Waser - M3x6	33-101
0802 5276	Tapping Screw With Waser - M3x6	45-102
0802 5276	Tapping Screw With Waser - M3x6	37-105
0802 5276	Tapping Screw With Waser - M3x6	43-102
0802 5279	Tapping Screw With Washer - M3x8	39-103
0802 5279	Tapping Screw With Washer - M3x8	37-109
0802 5283	Tapping Screw - M4x8	33-105
0804 6075	Hexagonal Bolt - M3x8	41-106
0805 0083	Retaining Ring - M4	27-105

Part No.	Description	Page and Index No.
0805 0083	Retaining Ring - M4	25-105
0805 3480	Bushing - 6mm	33-103
0951 3004B	Philps Screw With Flat Washer -m3x4	17-106
0951 3008B	Philips Screw With Flat Washer - M3x8	43-105
0954 3006B	Screw - M3X6	31-101
0954 3006B	Screw - M3X6	29-102
0954 3010B	Philips Screw - M3x10	31-105
1102 4201	Connector - 2P	53-101
1102 4202	Connector - 3P	53-102
1102 4203	CT Header - 4P	53-103
1102 4204	CT Header - 5P	53-104
1102 4206	Connector - 7P	53-105
1102 4207	Connector - 8P	53-106
1102 4209	CT Header - 10P	53-107
1102 4210	Connector - 11P	53-108
1102 4497	Connector - 13P	53-109
1102 4627	Connector - 10P	53-110
1102 4629	Connector - 12P	53-111
1102 4651	Connector - 10P	53-112
1102 5007	CT Header - 14P	53-113
1102 5303	Connector - 4P	53-114
1102 5304	Connector - 5P	53-115
1102 5307	Connector - 2P	53-116
1102 5409	Connector - 20P	49-101
1102 5894	Connector - 68P	53-117
1102 6019	Connector - FCN685J036-I/YA	49-102
1102 6304	Connector - 11P	53-118
1102 6305	Connector - 12P	53-119
1102 6319	Connector - 12P	53-120
1102 6403	Connector - 30P	53-121
1102 7358	Connector - 80P	49-103
1102 7585	DIMM Connector - 93764-51872	49-104
1102 7672	Connector - 54111-1615	37-106
1102 7717	Connector - TX24-30R-12ST-H1	53-122
1102 8084	Connector - DF11-32DP-2DSA(08)	53-123

Part No.	Description	Page and Index No.
1102 8090	Connector - TX25-30P-12ST-N1	49-105
1102 8153	IC Card Connector - FCN-568P068-G/05A-V4	49-106
1102 8189	DIMM Connector - 54534-1440	49-107
1104 0588	Dip Socket - 28p	49-108
1104 0764	IC Socket-8pin	53-124
1105 0283	Clamp	35-109
1105 0283	Clamp	23-103
1105 0283	Clamp	19-105
1105 0283	Clamp	39-104
1105 0283	Clamp	17-105
1105 0291	Harness Clamp - LWS-3S	41-111
1105 0292	Wire Saddle	41-109
1105 0329	Clamp - ES-0510	17-104
1105 0329	Clamp - ES-0510	19-104
1105 0329	Clamp - ES-0510	43-103
1105 0329	Clamp - ES-0510	15-104
1105 0329	Clamp - ES-0510	35-106
1105 0334	Edge - 17	45-107
1105 0334	Edge - 17	41-105
1105 0415	Spacer - 12.7mm	27-106
1105 0460	Clamp	15-103
1105 0460	Clamp	35-111
1105 0460	Clamp	41-102
1105 0460	Clamp	37-102
1105 0460	Clamp	39-105
1105 0460	Clamp	23-104
1105 0487	Harness Clamp	11-102
1105 0487	Harness Clamp	41-110
1105 0487	Harness Clamp	35-104
1105 0487	Harness Clamp	45-106
1105 0488	Harness Clamp	37-103
1105 0501	Harness Clamp - RLMC-05TV0	19-102
1105 0501	Harness Clamp - RLMC-05TV0	17-107
1107 0354	Fuse - 3.15A 125V (120V)	41-114
1107 0388	Fuse - 2A 125V (120V)	41-116

Part No.	Description	Page and Index No.
1107 0390	Fuse - 4A 125V (120V)	41-115
1107 0393	Fuse - 8A 125V (120V)	41-113
1107 0629	Fuse - 15A 125V (120V)	41-112
1107 0727	Fuse - K19374/4A	53-125
1107 0748	Fuse - 2A, 250V (230V)	41-116
1107 0750	Fuse - 3.15A 250V (230V)	41-113
1107 0750	Fuse - 3.15A 250V (230V)	41-114
1107 0751	Fuse - 4A 250V (230V)	41-115
1109 0014	Transistor - RGE500	53-126
1204 2368	Dip Switch - DSS804	49-109
1204 2477	Locker Switch - AC250V 10A	41-108
1204 2510	Micro Switch	45-104
1400 0448	Transistor - 2SC2712-GR	53-127
1400 0700	Transistor - DTD133HK	53-128
1400 0753	Transistor - DTC114VKA	53-129
1401 0303	IC - TD62308AP	53-130
1402 1336	Diode - 1SS355	53-131
1402 1380	Diode - PTZ 6.2A	53-132
1402 1491	Diode - RB471E	53-133
1403 0894	LED Sml-010lt	53-134
1403 0895	LED Sml-010mt	53-135
1403 0953	LED SML-310MT	49-110
1407 1600	TTLIC - SN74LS244NS	53-136
1407 1741	TTL - SN74LS32NS	53-137
1407 2052	TTLIC - SN74LS74ANS	53-138
1407 2080	IC - SN74LS21NS	53-139
1407 2187	TTLIC - SN74LS07NS	53-140
1407 2218	TTLIC - SN74LS06NS	53-141
1407 2219	IC - TD62003AP	53-142
1407 3357	Comparator - BA10393F	53-143
1407 4678	Eeprom Br93lc56a	53-144
1407 4730	SRAM STK12C68-W45	49-111
1407 4754	IC - HD6413002F16	53-145
1407 4786	CMOS IC - TC74ACT273F	49-112
1407 4827	IC - MBM29F400BC-70PFTN-SFK	53-146

Part No.	Description	Page and Index No.
1407 4876	CMOS IC - 74VHC244 TSSOP	49-113
1407 4919	CMOS IC - 74VHCT244 TSSOP	49-114
1407 5040	IC - SN74LVCH161284DL	49-115
1407 5087	CMOS IC - SN74LVCH16245ADGG	49-116
1407 5104	IC - UPD30210GD-167-MBB	49-117
1407 5122	CMOS IC - TC74ACT374FT	49-118
1407 5125	Flash Memory - MBM29P1160TD-75PFTN	49-119
1407 5164	IC - W166G	49-120
1407 5174	CMOS IC - SN74LVCH04APW	49-121
1408 0575	IC - M51957BFP	53-147
1408 0595	IC - NJM2904M	53-148
1408 0611	IC - 3771	49-122
1408 1204	IC - TA8083P	53-149
1408 1454	IC - LM1085IS-3.3	49-123
1503 0863	Oscillator - 14.7456mhz	53-150
1503 0865	Oscillator - 9.8304MHZ	53-151
1503 0913	Crystal Oscillator - 63.90959mhz	49-124
1601 5237	Resistor - 220 Ω \pm 5%	53-152
1601 7752	Resistor Array - 10K Ω \pm 5%	49-125
1601 7752	Resistor Array - 10K Ω \pm 5%	53-153
1601 7753	Resistor - 47 Ω \pm 5%	49-126
1601 7760	Resistor Array	49-127
1601 7760	Resistor Array	53-154
1601 7791	Resistor Array - 1K Ω \pm 5%	53-155
1601 7867	Resistor - 33 Ω \pm 5% 1/16W	53-156
1601 7867	Resistor - 33 Ω \pm 5% 1/16W	49-128
1601 7869	Resistor - 1.2K Ω \pm 5% 1/16W	49-129
1601 7871	Resistor - 68 Ω \pm 5% 1/16W	49-130
1601 7892	Resistor - 120 Ω \pm 5% 1/16W	49-131
1601 7895	Resistor - 180 Ω \pm 5% 1/16W	49-132
1604 4333	Capacitor - 100 μ F \pm 20% 10V	49-133
1604 4428	Capacitor 100 μ F 20% 16V	49-134
1604 4692	Capacitor - 220mF \pm 20% 16V	49-135
1605 0577	Capacitor - 0.33 μ F +80-20%	53-157

Part No.	Description	Page and Index No.
1605 0912	Capacitor - 0.082 μ F \pm 10% 25V	49-136
1605 0989	Capacitor - 0.22mF +80 -20% 16V	49-137
1607 0939	Filter-nfm41p11c204	53-158
1607 0978	Inductor - BLM21P300SPB	49-138
1607 1106	IC - LC0805L473M	53-159
1607 1124	Filter - BLM11A471SGPB	49-139
1607 1161	Filter - NFM39R12C223	49-140
1630 1101	Resistor - 100 Ω 1/4W \pm 5%	53-160
1630 2391	Resistor - 390 Ω 1/8W	53-161
1630 3101	Resistor - 100 Ω - 1/10W	53-162
1630 3102	Resistor - 1K Ω 1/10W \pm 5%	53-163
1630 3103	Resistor - 10K Ω 1/10W \pm 5%	53-164
1630 3104	Resistor - 100K Ω 1/10W \pm 5%	53-165
1630 3105	Resistor - 1M Ω \pm 5% 1/10W	53-166
1630 3680	Resistor - 68 Ω \pm 5% 1/10W	53-167
1630 4100	Resistor - 10 Ω \pm 5% 1/16W	53-168
1630 4100	Resistor - 10 Ω \pm 5% 1/16W	49-141
1630 4102	Resistor - 1.0K Ω \pm 5% 1/16W	53-169
1630 4103	Resistor - 10K Ω \pm 5% 1/16W	49-142
1630 4103	Resistor - 10K Ω \pm 5% 1/16W	53-170
1630 4104	Resistor - 100 Ω \pm 5% 1/16W	53-171
1630 4104	Resistor - 100 Ω \pm 5% 1/16W	49-143
1630 4121	Resistor - 120 Ω \pm 5% 1/16W	49-144
1630 4122	Resistor - 1.2K Ω 5% 1/16W	49-145
1630 4124	Resistor - 120K Ω \pm 5%1/16W	49-146
1630 4181	Resistor - 180 Ω \pm 5% 1/16W	49-147
1630 4221	Resistor - 220 Ω \pm 5% 1/16W	49-148
1630 4222	Resistor - 2.2K Ω \pm 5%	53-172
1630 4222	Resistor - 2.2K Ω \pm 5%	49-149
1630 4243	Resistor - 24K Ω \pm 5% 1/16W	53-173
1630 4330	Resistor - 33 Ω \pm 5% 1/8W	53-174
1630 4330	Resistor - 33 Ω \pm 5% 1/8W	49-150
1630 4332	Resistor - 3.3K Ω \pm 5% 1/16W	53-175

Part No.	Description	Page and Index No.
1630 4470	Resistor - 470 Ω \pm 5% 1/16W	49-151
1630 4471	Resistor - 470 Ω \pm 5% 1/16W	53-176
1630 4472	Resistor - 4.7K Ω \pm 5% 1/16W	53-177
1630 4472	Resistor - 4.7K Ω \pm 5% 1/16W	49-152
1630 4519	Resistor - 5.1 Ω \pm 5% 1/16W	49-153
1630 4560	Resistor - 56 Ω \pm 5% 1/16W	49-154
1630 4680	Resistor - 68 Ω \pm 5% 1/16W	49-155
1630 4681	Resistor - 680 Ω \pm 5% 1/16W	49-156
1630 4820	Resistor - 82 Ω \pm 5% 1/16W	49-157
1633 2871	Resistor - 2.87K Ω \pm 1% 1/10W	53-178
1633 5601	Resistor - 506K \pm 1% 1/10W	53-179
1634 0000	Resistor - 0 Ω 1/16W	49-158
1634 0000	Resistor - 0 Ω 1/16W	53-180
1634 1002	Resistor - 10 Ω \pm 5% 1/16W	53-181
1634 3921	Resistor - 3.92K Ω \pm 1% 1/1	53-182
1640 5101	Capacitor - 100 μ F \pm 20% 50V	53-183
1642 1101	Capacitor - 100 μ F \pm 20% 16V	53-184
1643 1100	Capacitor - 10 μ F \pm 20% 16V	53-185
1643 5100	Capacitor - 10 μ F \pm 20% 50V	53-186
1644 0220	Capacitor - 22 μ F \pm 20% 10V	49-159
1644 1100	Capacitor - 10 μ F \pm 20% 16V	49-160
1660 0100	Capacitor - 10PF \pm 0.5pF 50V	53-187
1660 2120	Capacitor - 12 pF \pm 5% 50V	53-188
1660 2221	Capacitor - 220pF +80-20% 50V	49-161
1660 2330	Capacitor - 33pF - \pm 5% - 50V	49-162
1660 2470	Capacitor - 47pF \pm 5% 50V	49-163
1660 2471	Capacitor - 470pF - \pm 5% - 50V	49-164
1660 2680	Capacitor - 68pF \pm 5% 50V	49-165
1660 3330	Capacitor - 33pF \pm 5% 50V	53-189
1660 3471	Capacitor - 470pF 50V	53-190
1660 4102	Capacitor - 1000pF \pm 10% 50V	49-166
1660 4222	Capacitor - 2200pF - \pm 10% - 50V	49-167
1660 5102	Capacitor - 1000pF \pm 10% 50V	53-191

Part No.	Description	Page and Index No
1660 6103	Capacitor - 10000pF - +80%-20%, 50V	49-168
1660 6103	Capacitor - 10000pF - +80%-20%, 50V	53-192
1660 7104	Capacitor - 100000pF 50V	53-193
1660 8104	Capacitor - 0.1 μ F +80-20% 25V	49-169
1660 8104	Capacitor - 0.1 μ F +80-20% 25V	53-194
1902 0041	IC - 1M X8 70NS G10	53-195
1907 0007	SDRAM - 64M 1MX16X4 100MHz G3	49-170